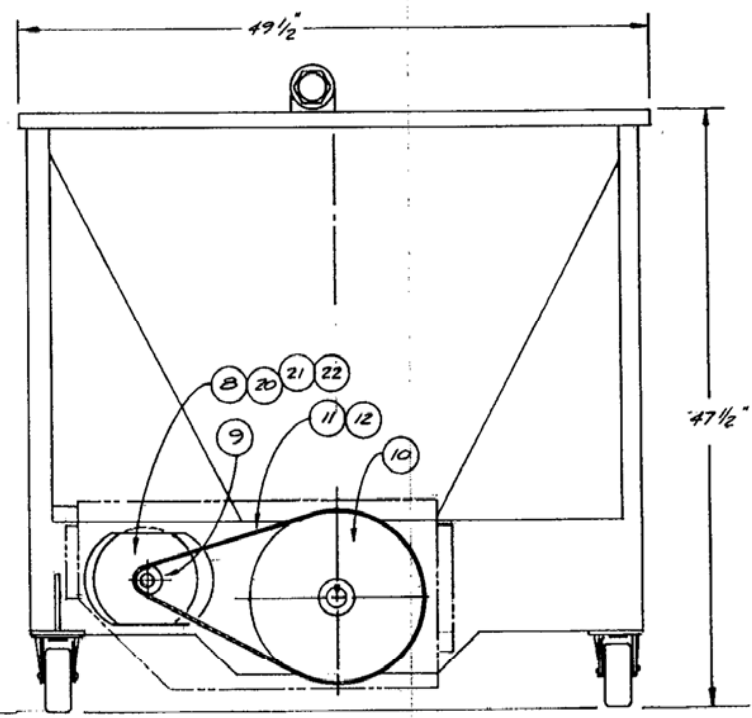
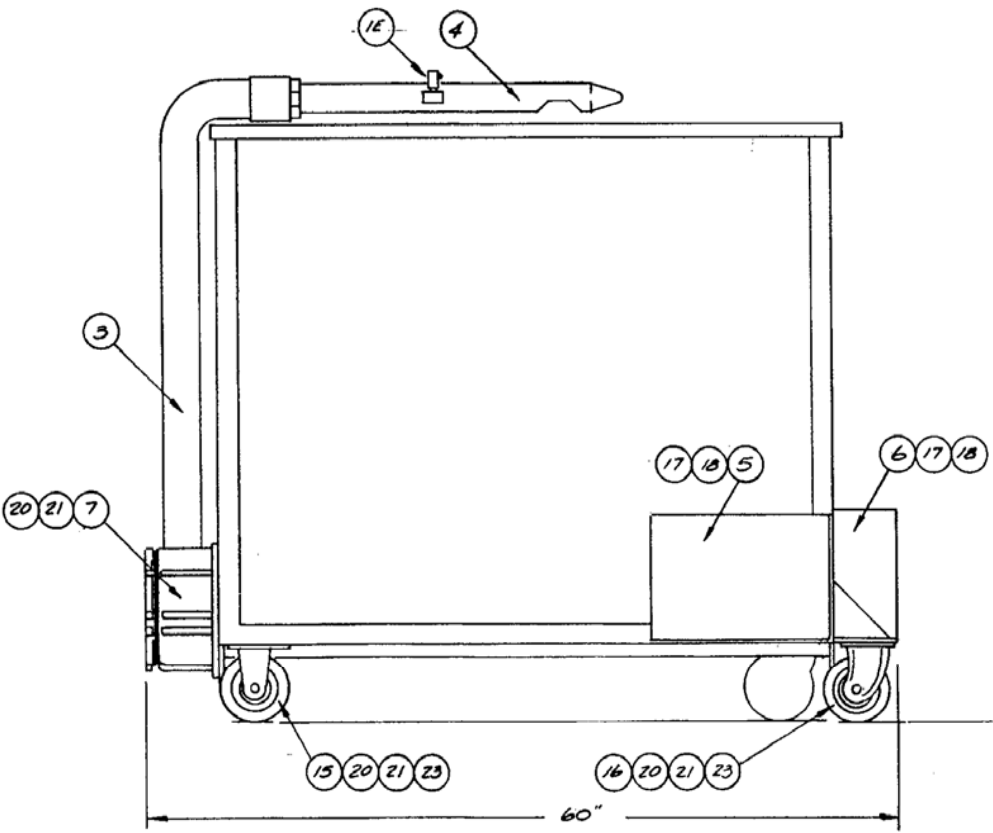


ITEM	PART NO.	DESCRIPTION (ELECTRICAL)	QTY.
1E	BZE6-2RN	MICRO SWITCH	1
2E	6X153	TIME DELAY RELAY	1
3E	2AB21	MOTOR STARTER	1
4E	6X156B	TIME DELAY SKT. (11 PIN OCT)	1

ITEM	PART NUMBER	DESCRIPTION	REQD.
1	1200-0902-00	HOPPER ASSEMBLY (1200-M101A)	1
2	1200-0400-00	AUGER ASSY. (PIPE AUGER) (1200-M102B)	1
3	1200-0402-00	FEED PIPE (1200-M103)	1
4	1200-0401-00	SACKER NOZZLE (1200-M104)	1
5	1200-0603-00	MOTOR COVER (1200-M100B)	1
6	1200-0604-00	CHAIN GUARD (1200-M1006)	1
7	250	2 1/2" AUTO. PUMP	1
8		5 HP TEFL, 1800 RPM MOTOR	1
9	B 914	#40 SPROCKET 14T 1 1/8" BORE	1
10	TLB 484	#40 SPROCKET 84T 1 3/8" BORE (2012)	1
11	1 1/2 PITCH	#40 ROLLER CHAIN	1
12		#40 CONNECTING LINK	1
13		1 3/8" DODGE TYPE 30 4BOLT FIG. BRG.	1
14	V-403	"V" RING SEAL	1
15	5X740	CASTER, RIGID PLATE	2
16	5X757	CASTER, SWIVEL PLATE	2
17		7/16" N.C. x 1/2" HEX HEAD SCREW	6
18		1/4" SPRING LOCKWASHER	6
19			
20		3/8" N.C. x 1" HEX HEAD SCREW	27
21		3/8" SPRING LOCKWASHER	27
22		3/8" FLAT WASHER	4
23		3/8" N.C. NUT	20
24		1/2" N.C. x 3/4" HEX HEAD BOLT	4
25		1/2" SPRING LOCKWASHER	4



NOTES:

THIS PRINT, AND THE INFORMATION AND KNOW-HOW THEREON, IS PROPRIETARY TO AUTO CO., AND MAY NOT BE USED OR REPRODUCED OR DISCLOSED TO OTHERS WITHOUT THE WRITTEN PERMISSION OF THIS COMPANY. PERMITTED REPRODUCTIONS IN WHOLE OR IN PART, INCLUDING BORROWER'S SHOP DRAWINGS, SHALL BEAR OR REFER TO THIS NOTICE. RETURN OF THIS PRINT MUST BE MADE TO AUTO CO., UPON REQUEST.

MATERIAL: AS NOTED
FINISH: PER ORDER

AUTIO company
 FT. 4 BOX 490
 ASTORIA, OREGON 97102 U.S.A.
 503/458-6191 TWX 910/486-8010

DWG. SCALE: 1 1/2" = 12"
 PRINT ISSUE DATE

DWN. BY: A. MATSON
 ENGR. DATE

DWG. TITLE: 1200 SACKER ASSEMBLY DWG.
 DWG. NO. 1200-0905-00
 REV. 1



SPECIALIZED EQUIPMENT FOR THE FOOD INDUSTRY

93750 AUTIO LOOP • ASTORIA, OREGON 97103 • USA
 (503) 458-6191 • (800) 483-8884 • (503) 458-6409

PARTS LIST
Call 800-483-8884
for price and availability

SACKER ASSEMBLY, 1200# - DWG. NO. 1200-0903-00

ITEM NO.	PART NUMBER	DESCRIPTION	NBR. REQ.
1	1200-0902-00	HOPPER ASSEMBLY -----	1
2	1200-0400-00	AUGER ASSEMBLY (Pipe Auger) -----	1
3	1200-0402-00	FEED PIPE -----	1
4	1200-0401-00	SACKER NOZZLE -----	1
	1200-0401-SS	SACKER NOZZLE, STAINLESS STEEL -----	
5	1200-0603-00	MOTOR COVER -----	1
6	1200-0604-00	CHAIN GUARD -----	1
7	#250	2-1/2" AUTIO PUMP, COMPLETE BLACK ----- <i>(Also see separate pump parts sheets.)</i>	1
8	5 HP	5HP MOTOR, TEFC, 1800 RPM -----	1
9	B414	#40 SPROCKET, 14T, 1-1/8 BORE -----	1
10	TLB 484	#40 SPROCKET 84T 1-3/8" BORE (2012) -----	1
11	112 PITCH	#40 ROLLER CHAIN -----	1
12		#40 CONNECTING LINK -----	1
13	SC 1-3/8	1-3/8 DODGE TYPE SC 4 BOLT FLANGE BEARING -----	1
14	V-40-S	V-RING SEAL -----	1
15	5X740	CASTER, RIGID PLATE -----	2
16	5X737	CASTER, SWIVEL PLATE -----	2
17		1/4" NC X 1/2" HEX HEAD SCREW -----	6
18		1/4" SPRING LOCKWASHER -----	6
19			
20		3/8" NC X 1 HEX HEAD SCREW -----	27
21		3/8" SPRING LOCKWASHER -----	27
22		3/8" FLAT WASHER -----	4
23		3/8" NC NUTS -----	20
24		1/2" NC X 3/4 HEX HEAD BOLT -----	4
25		1/2" SPRING LOCKWASHER -----	4
1E	BZE6-2RN	MICRO SWITCH -----	1
2E	6X153	TIME DELAY RELAY -----	1
3E	1H505-8	AC MAGNETIC STARTER -----	1
	1H617-1	THERMAL UNITS -----	3
4E	6X156B	TIME DELAY SOCKET (11 pin octal) -----	1

MODEL 1200# AUTIO SACKER, COMPLETE -----

This equipment must be installed & operated according to all applicable safety regulations.

Prices subject to change without notice.
 Effective: March 1, 2014

Payable in U. S. Funds
 F.O.B. Plant - Astoria, Oregon U.S.A.