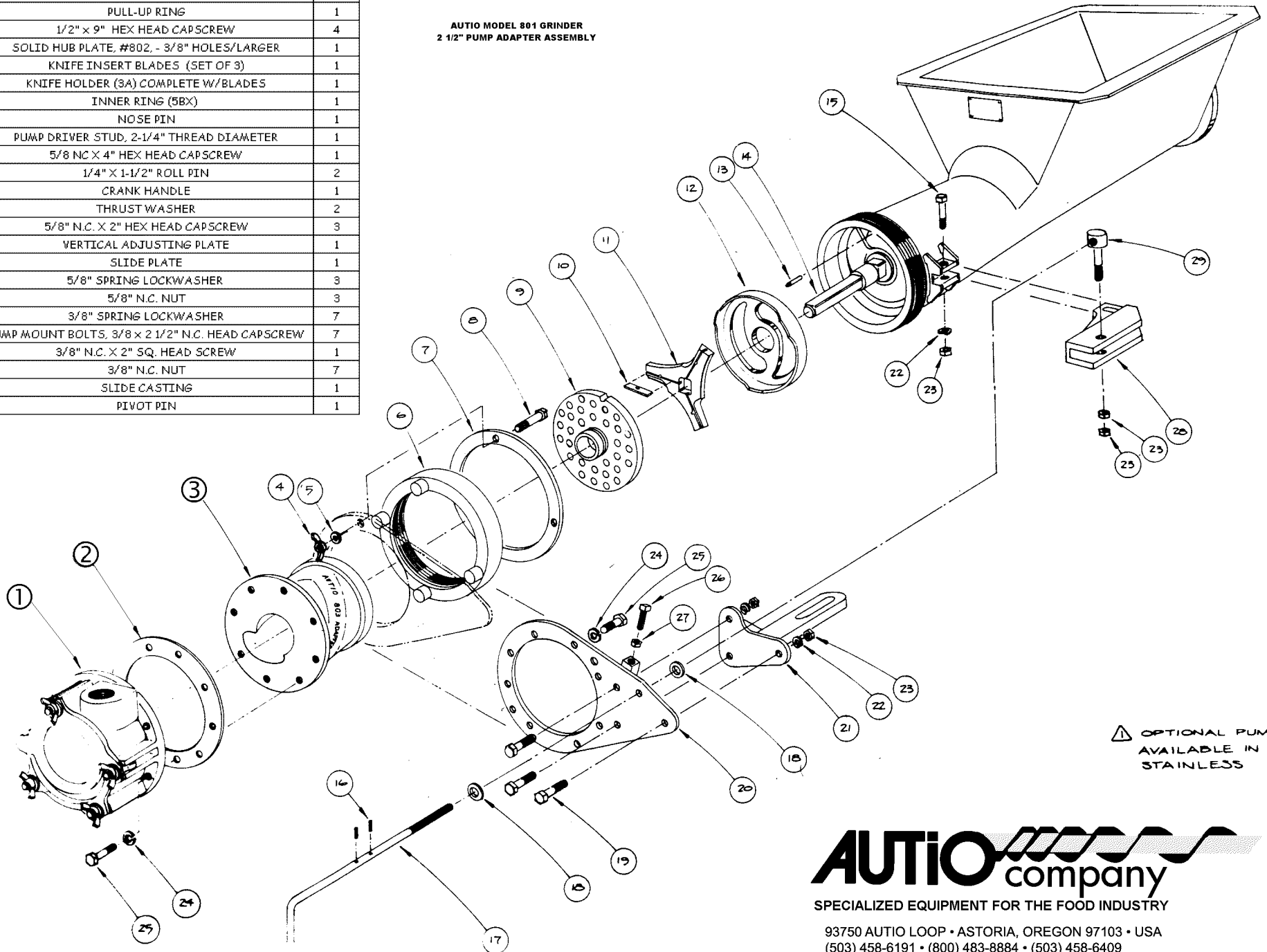


Item	Part No.	Description	# Req.
1	#250	2-1/2" AUTO PUMP COMPLETE	1
2	50-0407-0	PUMP MOUNT GASKET	1
3	802-0401-0	802 CONTOUR ADAPTER	1
4		1/2" N.C. NUT	3
5		1/2" FLAT WASHER	3
6	02-0402-0	NOSE RING	1
7	02-0405-0	PULL-UP RING	1
8		1/2" x 9" HEX HEAD CAPSCREW	4
9	802, ___	SOLID HUB PLATE, #802, - 3/8" HOLES/LARGER	1
10	4A 801	KNIFE INSERT BLADES (SET OF 3)	1
11	02-0409-0	KNIFE HOLDER (3A) COMPLETE W/BLADES	1
12	01-0402-0	INNER RING (5BX)	1
13	01-0400-00	NOSE PIN	1
14	02-0400-0	PUMP DRIVER STUD, 2-1/4" THREAD DIAMETER	1
15		5/8 NC X 4" HEX HEAD CAPSCREW	1
16		1/4" X 1-1/2" ROLL PIN	2
17	02-0405-0	CRANK HANDLE	1
18	02-0300-0	THRUST WASHER	2
19		5/8" N.C. X 2" HEX HEAD CAPSCREW	3
20	02-0404-0	VERTICAL ADJUSTING PLATE	1
21	02-0406-0	SLIDE PLATE	1
22		5/8" SPRING LOCKWASHER	3
23		5/8" N.C. NUT	3
24		3/8" SPRING LOCKWASHER	7
25		PUMP MOUNT BOLTS, 3/8 x 2 1/2" N.C. HEAD CAPSCREW	7
26		3/8" N.C. X 2" SQ. HEAD SCREW	1
27		3/8" N.C. NUT	7
28	02-0408-0	SLIDE CASTING	1
29	02-0404-0	PIVOT PIN	1

**AUTIO MODEL 801 GRINDER
2 1/2" PUMP ADAPTER ASSEMBLY**



⚠ OPTIONAL PUMP
AVAILABLE IN
STAINLESS

AUTIO company

SPECIALIZED EQUIPMENT FOR THE FOOD INDUSTRY

93750 AUTIO LOOP • ASTORIA, OREGON 97103 • USA
(503) 458-6191 • (800) 483-8884 • (503) 458-6409



SPECIALIZED EQUIPMENT FOR THE FOOD INDUSTRY

93750 AUTIO LOOP • ASTORIA, OREGON 97103 • USA
 (503) 458-6191 • (800) 483-8884 • (503) 458-6409

PARTS LIST
Call 800-483-8884
for price and availability

802 PUMP ADAPTER ASSEMBLY, DWG. #C-802-0901-00

ITEM NO.	PART NUMBER	DESCRIPTION	NBR. REQ.
1	#250	2-1/2" AUTIO PUMP COMPLETE, BLACK -----	1
	#250-HT	2-1/2" AUTIO PUMP COMPLETE, BLACK HEAT-TREATED -----	
	#250-SS	2-1/2" STAINLESS STEEL AUTIO PUMP, COMPLETE -----	
2	250-0407-00	PUMP MOUNT GASKET-----	1
3	802-0401-00	802 CONTOUR ADAPTER -----	1
4		1/2" N.C. NUT -----	3
5		1/2" FLAT WASHER -----	3
6	802-0402-00	NOSE RING -----	1
7	802-0405-00	PULL-UP RING -----	1
8		1/2" x 9" HEX HEAD CAPSCREW -----	4
9	802, ____	SOLID HUB PLATE, #802, - 3/8" HOLES/LARGER ----- <i>(Specify plate hole size when ordering.)</i>	1
10	4A 801	KNIFE INSERT BLADES (SET OF 3)----- (PER BOX: 36 PCS/12 SETS)	1
11	802-0409-00	KNIFE HOLDER (3A) COMPLETE W/BLADES-----	1
12	801-0402-00	INNER RING (5BX) -----	1
13	801-0400-00	NOSE PIN -----	1
14	802-0400-00	PUMP DRIVER STUD, 2-1/4" THREAD DIAMETER -----	1
	6B 801	PUMP DRIVER STUD, 1-3/4" THREAD DIAMETER -----	
15		5/8 NC X 4" HEX HEAD CAPSCREW -----	1
16		1/4" X 1-1/2" ROLL PIN -----	2
17	1102-0405-00	CRANK HANDLE -----	1
18	1102-0300-00	THRUST WASHER -----	2
19		5/8" N.C. X 2" HEX HEAD CAPSCREW -----	3
20	802-0404-00	VERTICAL ADJUSTING PLATE -----	1
21	802-0406-00	SLIDE PLATE -----	1
22		5/8" SPRING LOCKWASHER -----	3
23		5/8" N.C. NUT -----	3
24		3/8" SPRING LOCKWASHER -----	7
25		PUMP MOUNT BOLTS, 3/8 x 2 1/2" N.C. HEAD CAPSCREW -----	7
26		3/8" N.C. X 2" SQ. HEAD SCREW -----	1
27		3/8" N.C. NUT -----	7
28	1102-0408-00	SLIDE CASTING -----	1
29	1102-0404-00	PIVOT PIN -----	1
		NOT PICTURED:	
	250-6B 801	STUD SLEEVE ----- (Adapts 6b801 pump driver stud to 2-1/2" pump (fits on square end of stud.)	1

This equipment must be installed & operated according to all applicable safety regulations.

Prices subject to change without notice.
 F.O.B. Plant - Astoria, Oregon U.S.A.
 Effective: March 1, 2014

Payable in U.S. Funds