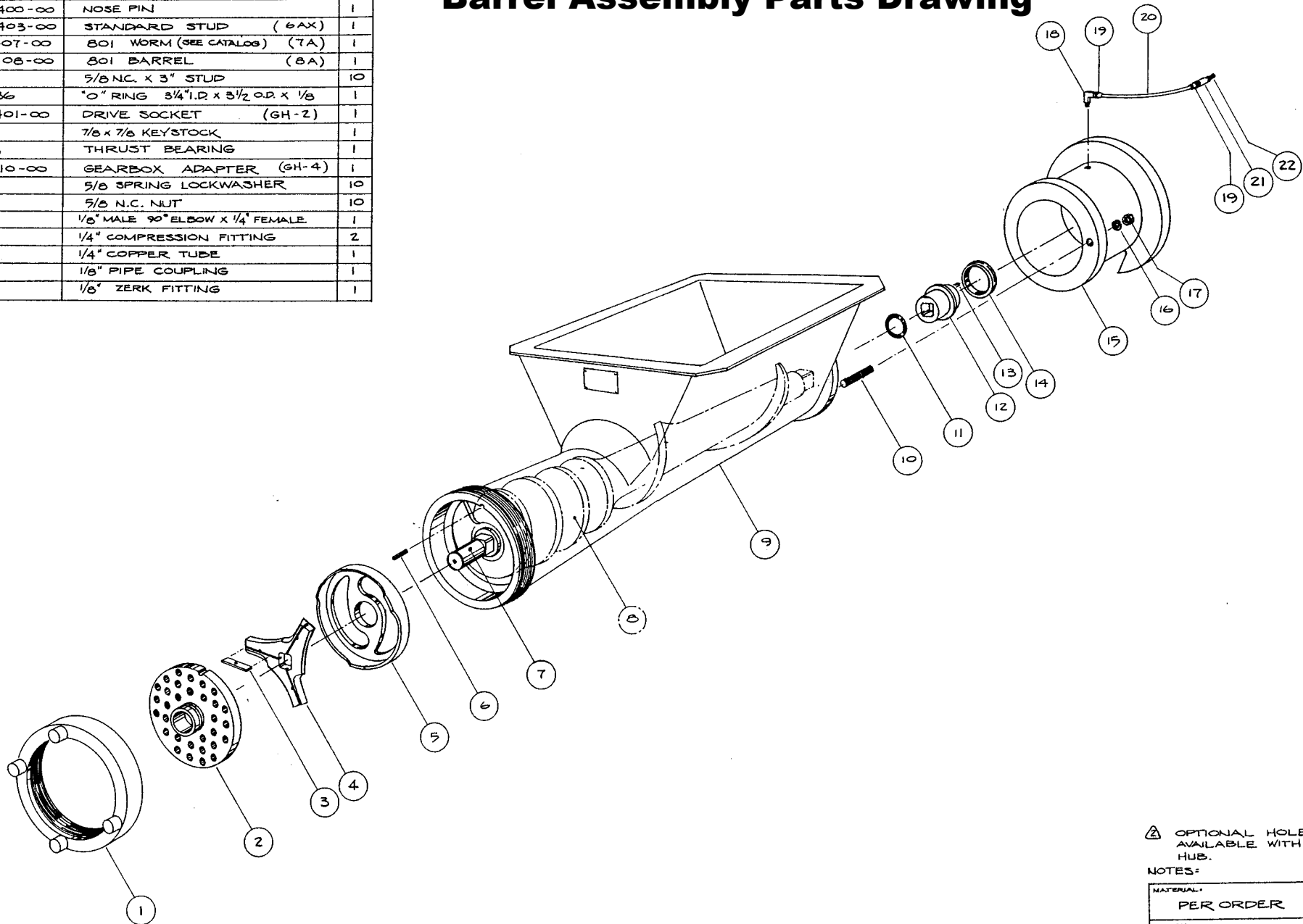


ITEM	PART NUMBER	DESCRIPTION	NO. REQ.
1		NOSE RING (1A)	1
△	2A 801	REVERSIBLE HOLE PLATE (#6)	1
3	4A 801	KNIFE INSERTS (3 PER SET) (#801/802)	1
4	B-801-0409-00	KNIFE HOLDER (3A)	1
5	B-801-0402-00	INNER RING (5 BX)	1
6	A-801-0400-00	NOSE PIN	1
7	B-801-0403-00	STANDARD STUD (6AX)	1
8	B-801-0407-00	801 WORM (SEE CATALOG) (7A)	1
9	B-801-0408-00	801 BARREL (8A)	1
10		5/8 N.C. X 3" STUD	10
11	2-236	1/2" O.D. RING 3/4" I.D. X 3/2" O.D. X 1/8"	1
12	A-801-0401-00	DRIVE SOCKET (GH-2)	1
13		7/8 X 7/8 KEYSTOCK	1
14	GH-3	THRUST BEARING	1
15	C-801-0410-00	GEARBOX ADAPTER (GH-4)	1
16		5/8 SPRING LOCKWASHER	10
17		5/8 N.C. NUT	10
18		1/8" MALE 90° ELBOW X 1/4" FEMALE	1
19		1/4" COMPRESSION FITTING	2
20		1/4" COPPER TUBE	1
21		1/8" PIPE COUPLING	1
22		1/8" ZERK FITTING	1

Autio Model 801 Grinder Barrel Assembly Parts Drawing



△ OPTIONAL HOLE PLATE AVAILABLE WITH SOLID HUB.

NOTES:

MATERIAL:	PER ORDER
FINISH:	PER ORDER
DWG TITLE:	801 BARREL ASSY.
DWG NO.:	C-801-0906-00
REV.:	
SH. NO.:	

DWG SCALE:	TOLERANCES:	DWN BY:	DATE:
NONE	FRACTIONS:	ART MATSON	6-29-79
(EXCEPT AS NOTED)	ANGULAR:	ENGR.	DATE:
PRINT ISSUE DATE:	DECIMAL:		
	UNLESS OTHERWISE NOTED	APRD BY:	DATE:
	NEXT ASSY:		



SPECIALIZED EQUIPMENT FOR THE FOOD INDUSTRY

93750 AUTIO LOOP • ASTORIA, OREGON 97103 • USA
 (503) 458-6191 • (800) 483-8884 • (503) 458-6409

PARTS LIST
Call 800-483-8884
for price and availability

801 P-4 BARREL ASSEMBLY, DWG. #C-801-0906-00

ITEM NO.	PART NUMBER	DESCRIPTION	NBR. REQ
1	802-0402-00	NOSE RING -----	1
2	2A801-6,____	REVERSIBLE HOLE PLATE, #6 (3/8" HOLE OR LARGER) -----	1
	2A801-600,____	SOLID HUB PLATE, #600 (3/8" HOLE OR LARGER) ----- (Specify plate hole size when ordering.)	
2-A	#6/11	LOCKSPRING PLATE BUSHING, 3-PC. -----	
3	4A 801	KNIFE INSERT BLADES (1 SET OF 3) ----- (PER BOX: 36 PCS/12 SETS)	1
4	802-0409-00	KNIFE HOLDER (3A) COMPLETE W/BLADES -----	1
5	801-0402-00	INNER RING (5BX) -----	1
6	801-0400-00	NOSE PIN -----	1
7	801-0403-6AX	STANDARD WORM STUD, 2-1/4" THREAD DIA.(6AX) -----	1
	801-0403-6A	WORM STUD, 1-3/4" THREAD DIA (6A801) -----	1
8	801-0407-00	801 WORM, #1 OPEN -----	1
	801-0407-01	801 WORM, #1 OPEN ----- -FOR EDIBLES: 801 WORM, #2, #3 or #4 FILL ----- -ADD:	
9	801-0408-00	801 BARREL -----	1
	801-0408-01	801 BARREL ----- -FOR EDIBLES:	
10		5/8 NC X 2-1/2" STUD -----	10
11	2-236	O-RING, -----	1

(See P-4 Adapter Assembly, Dwg. No. BP4-0900-00)

23	801-0001-00	NOSE RING WRENCH (24A) -----	1
----	-------------	------------------------------	---

This equipment must be installed & operated according to all applicable safety regulations.

Prices subject to change without notice.
 F.O.B. Plant - Astoria, Oregon U.S.A.
 Effective: March 1, 2014

Payable in U.S. Funds