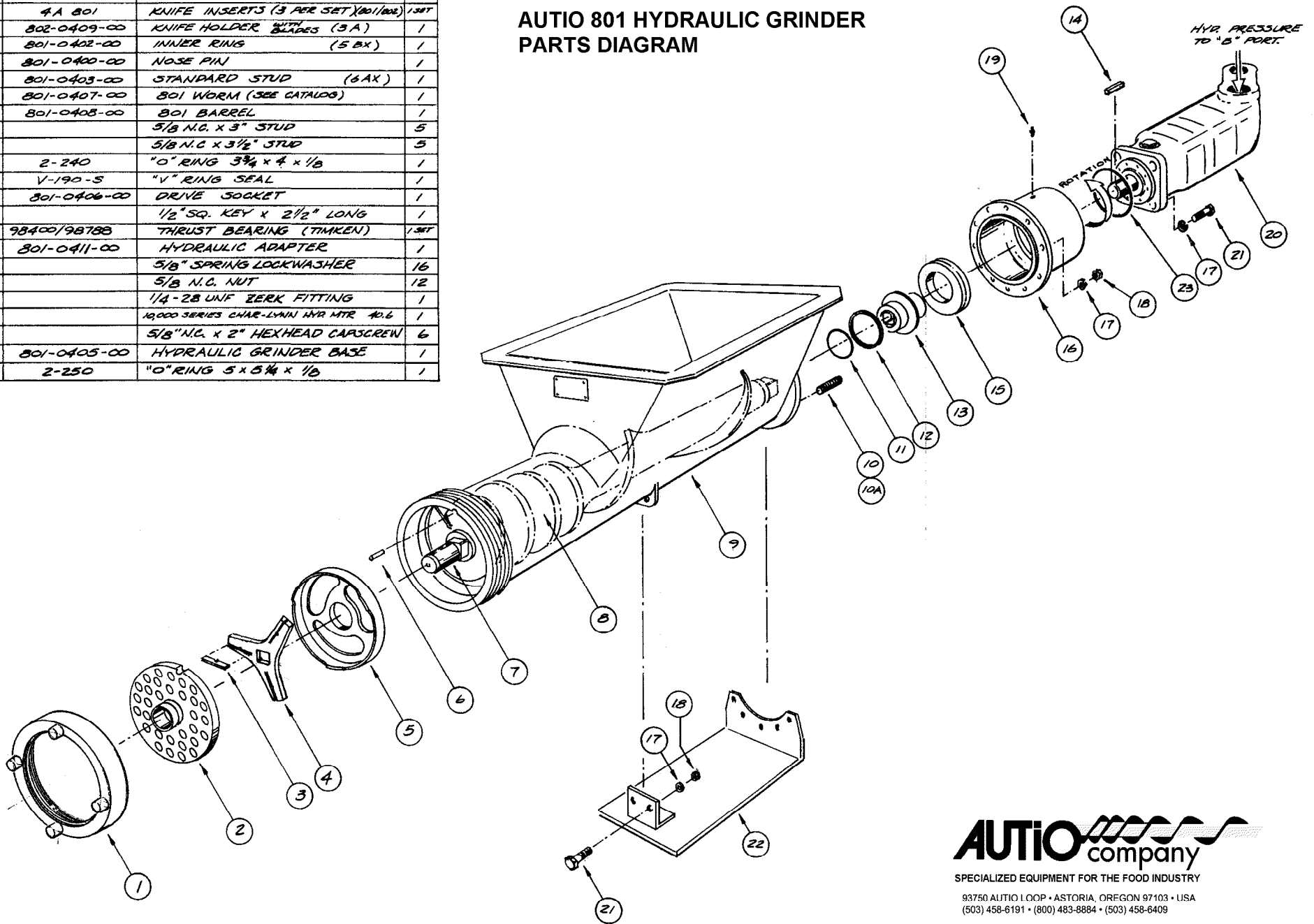


ITEM NO.	PART NUMBER	DESCRIPTION	NO. REQ.
1	802-0402-00	NOSE RING (1A)	1
2	2A 801	REVERSIBLE HOLE PLATE (# 6)	1
3	4A 801	KNIFE INSERTS (3 PER SET) (801/802)	1 SET
4	802-0409-00	KNIFE HOLDER BLADES (3A)	1
5	801-0402-00	INNER RING (5 BX)	1
6	801-0400-00	NOSE PIN	1
7	801-0403-00	STANDARD STUD (6AX)	1
8	801-0407-00	801 WORM (SEE CATALOG)	1
9	801-0408-00	801 BARREL	1
10		5/8 N.C. x 3" STUD	5
10A		5/8 N.C. x 3 1/2" STUD	5
11	2-240	"O" RING 3 3/4 x 4 x 1/8	1
12	V-190-S	"V" RING SEAL	1
13	801-0406-00	DRIVE SOCKET	1
14		1/2" SQ. KEY x 2 1/2" LONG	1
15	98400/98788	THRUST BEARING (TIMKEN)	1 SET
16	801-0411-00	HYDRAULIC ADAPTER	1
17		5/8" SPRING LOCKWASHER	16
18		5/8 N.C. NUT	12
19		1/4-28 UNF ZERK FITTING	1
20		10,000 SERIES CHAR-LYNN HYD MTR NO. 6	1
21		5/8" N.C. x 2" HEXHEAD CAPSCREW	6
22	801-0405-00	HYDRAULIC GRINDER BASE	1
23	2-250	"O" RING 5 x 5 1/4 x 1/8	1

## AUTIO 801 HYDRAULIC GRINDER PARTS DIAGRAM



**AUTIO** company

SPECIALIZED EQUIPMENT FOR THE FOOD INDUSTRY

93750 AUTIO LOOP • ASTORIA, OREGON 97103 • USA  
(503) 458-6191 • (800) 483-8884 • (503) 458-6409



SPECIALIZED EQUIPMENT FOR THE FOOD INDUSTRY

93750 AUTIO LOOP • ASTORIA, OREGON 97103 • USA  
 (503) 458-6191 • (800) 483-8884 • (503) 458-6409

**PARTS LIST**  
**Call 800-483-8884**  
**for price and availability**

**801 HYDRAULIC GRINDER ASSEMBLY, DWG. NO. C-801-0907-00, REV. A.:**

ITEM NO.	PART NUMBER	DESCRIPTION	NBR. REQ.
1	802-0402-00	NOSE RING (1A) -----	1
2	2A801-6, ____	REVERSIBLE HOLE PLATE, #6 (3/8" HOLES & LRG.) ----- <i>COMPLETE W/BUSHING ASSEMBLY (Specify plate hole size when ordering.)</i>	1
	#6/11	LOCKSPRING PLATE BUSHING ASSEMBLY, 3-PC. -----	
3	4A 801	KNIFE INSERT BLADES (SET OF 3) ----- (PER BOX: 36 PC/12 SETS)	1
4	802-0409-00	KNIFE HOLDER (3A) COMPLETE W/BLADES -----	1
5	801-0402-00	INNER RING (5BX) -----	1
6	801-0400-00	NOSE PIN -----	1
7	801-0403-6AX	STANDARD WORM STUD (6AX) 2-1/4" THREAD DIA. -----	1
8	801-0407-00	801 WORM, #1 OPEN ----- 801 WORM #2, #3 or #4 FILL ----- ADD:	1
9	801-0408-00	801 BARREL -----	1
10		5/8" N.C. X 2-1/2" STUD -----	5
10-A		5/8" N.C. X 3" STUD -----	5
11	2-236	O-RING, 3-1/4X3-1/2X1/8 -----	1
12	V-190-S	V-RING SEAL (C/R 401901) -----	1
13	801-0406-00	HYDRAULIC DRIVE SOCKET -----	1
14		1/2" SQ. KEY -----	1
15	98400/98788	THRUST BEARING (CUP/CONE) -----	1 SET
16	801-0411-00	HYDRAULIC ADAPTER -----	1
17		5/8" SPRING LOCKWASHER -----	10
18		5/8" N.C. NUT -----	10
19		1/8" ZERK FITTING -----	1
20	119-1030	CHAR-LYNN 10,000 SERIES HYDRAULIC MOTOR, ----- 40.6 CU. IN.	1
21		5/8" N.C. X 2" HEXHEAD CAPSCREW -----	6
22	801-0405-00	HYDRAULIC GRINDER BASE -----	1
23	2-250	MOTOR MOUNTING O-RING, 5 X 5-1/4 X 1/8" -----	1

*This equipment must be installed & operated according to all applicable safety regulations.*

Prices subject to change without notice.  
 Effective: March 1, 2014

Payable in U. S. Funds  
 F.O.B. Plant - Astoria, Oregon U.S.A.