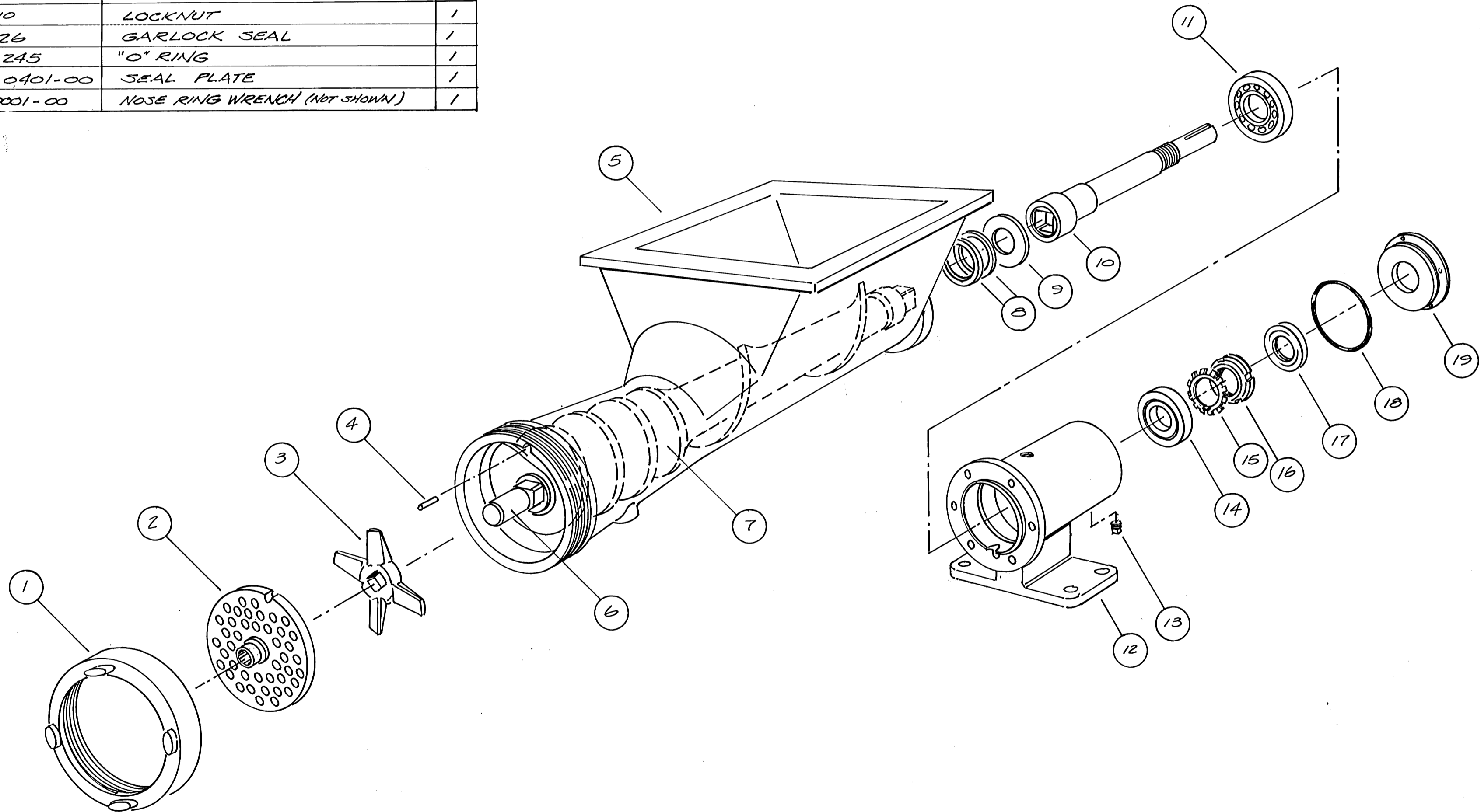


ITEM	PART NUMBER	DESCRIPTION	No. REQ.
1	B601-0402-00	NOSE RING	1
2	PER ORDER	REVERSIBLE HOLE PLATE	1
3	PER ORDER	KNIFE	1
4	3/8"	NOSE PIN	1
5	C601-0409-00	BARREL	1
6	A601-0405-00	STUD	1
7	B601-0410-00	WORM	1
8	V-75-A	"V" RING SEAL	2
9	53 X 2192	GARLOCK SEAL	1
10	C601-0407-01	DRIVE SHAFT	1
11	66462/66225	BEARING, CUP / CONE (TIMKEN)	1
12	C601-0408-00	ADAPTER	1
13		PIPE PLUG 3/8" NPT	2
14	66462/66212	BEARING	1
15	#10	LOCKWASHER	1
16	N-10	LOCKNUT	1
17	31726	GARLOCK SEAL	1
18	O1-245	"O" RING	1
19	A601-0401-00	SEAL PLATE	1
20	B601-0001-00	NOSE RING WRENCH (NOT SHOWN)	1

Autio Model 601 Grinder Barrel & Adapter Parts Drawing



NOTES:

THIS PRINT, AND THE INFORMATION AND KNOW-HOW THEREON, IS PROPRIETARY TO AUTIO CO., AND MAY NOT BE USED OR REPRODUCED OR DISCLOSED TO OTHERS WITHOUT THE WRITTEN PERMISSION OF THIS COMPANY. PERMITTED REPRODUCTIONS IN WHOLE OR IN PART, INCLUDING BORROWER'S SHOP DRAWINGS, SHALL BEAR OR REFER TO THIS NOTICE. RETURN OF THIS PRINT MUST BE MADE TO AUTIO CO., UPON REQUEST.	MATERIAL:	PER ORDER
	FINISH:	PER ORDER
DWG. SCALE: <small>(Unless otherwise noted)</small> NONE DO NOT SCALE DWG. PRINT ISSUE DATE	TOLERANCES: FRACTIONS ± ANGULAR ± DECIMAL xx ± xxx ± UNLESS OTHERWISE NOTED NEXT ASSEMBLY:	DWN. BY: ART/MATSON ENGR. DATE 8/20/81 DATE APPROVED BY: DATE
DWG. TITLE: 601 BARREL & ADAPTER ASSEMBLY (W/H)		DWG. NO. C601-0900-01
RT. 4 BOX 480 ASTORIA, OREGON 97102 U.S.A. 503/458-6191 TWX 910/466-8010		REV. SH. NO.



SPECIALIZED EQUIPMENT FOR THE FOOD INDUSTRY

93750 AUTIO LOOP • ASTORIA, OREGON 97103 • USA
 (503) 458-6191 • (800) 483-8884 • (503) 458-6409

PARTS LIST
Call 800-483-8884
for price and availability

601 BARREL & ADAPTER ASSEMBLY (W&H) DWG. NO. C601-0900-01

ITEM NO.	PART NUMBER	DESCRIPTION	NBR. REQ.
1	601-0402-00	NOSE RING (1A) -----	1
	601-0402-01	NOSE RING FOR EDIBLE PRODUCT -----	1
2	601-5, ____	REVERSIBLE HOLE PLATE, W/HUB #5 -----	1
	601-56, ____	REVERSIBLE HOLE PLATE, NO HUB #56 ----- (TRIUMPH - 3/16" HOLES & LGR) (Specify plate hole size when ordering.)	
3		KNIFE - (SPECIFY TYPE) -----	1
	#56 SD	NO. 56 SOLID DROP FORGED KNIFE-----	
	#56 EVER	NO. 56 EVERLASTING (Old #500) -----	
	#56 TRI HLDR	NO. 56 TRIUMPH WITH ONE-PC BLADE(#5) -----	
	#56 TRI BLADE	NO. 56 TRIUMPH ONE-PC BLADE ONLY(#5) -----	
4	601-0411-00	NOSE PIN, 3/8" -----	1
5	601-0409-00	BARREL -----	1
	601-0409-01	BARREL, FOR EDIBLE PRODUCT -----	1
6	601-0405-00	WORM STUD -----	1
7	601-0410-00	WORM -----	1
	601-0410-01	WORM, FOR EDIBLE PRODUCT -----	1
8	V-75-A	V-RING SEAL (C/R 400750) -----	2
9	53X2192	GARLOCK SEAL -----	1
10	601-0407-00	DRIVE SHAFT -----	1
11	66462/66225	BEARING, CUP/CONE -----	1 SET
12	601-0408-00	601 ADAPTER -----	1
13	1/2" NPT	PIPE PLUG -----	2
14	66462/66212	BEARING, CUP/CONE -----	1 SET
15	W10	LOCKWASHER -----	1
16	N10	LOCKNUT -----	1
17	472179	NATIONAL SEAL (Garlock 31726) -----	1
18	01-245	O-RING -----	1
19	601-0401-00	SEAL PLATE -----	1
20	601-0001-00	NOSE RING WRENCH (Not Shown) -----	1
	3VX---	MATCHED V-BELTS -----	1 SET

NOTE: Item 10, 15 & 16 must be ordered as a set for head assemblies manufactured before August, 1981 (Old locknuts did not have four notches on outside diameter.)

This equipment must be installed & operated according to all applicable safety regulations.

Prices subject to change without notice.
 Effective: March 1, 2014

F.O.B. Plant - Astoria, Oregon U.S.A.
 Payable in U. S. Funds