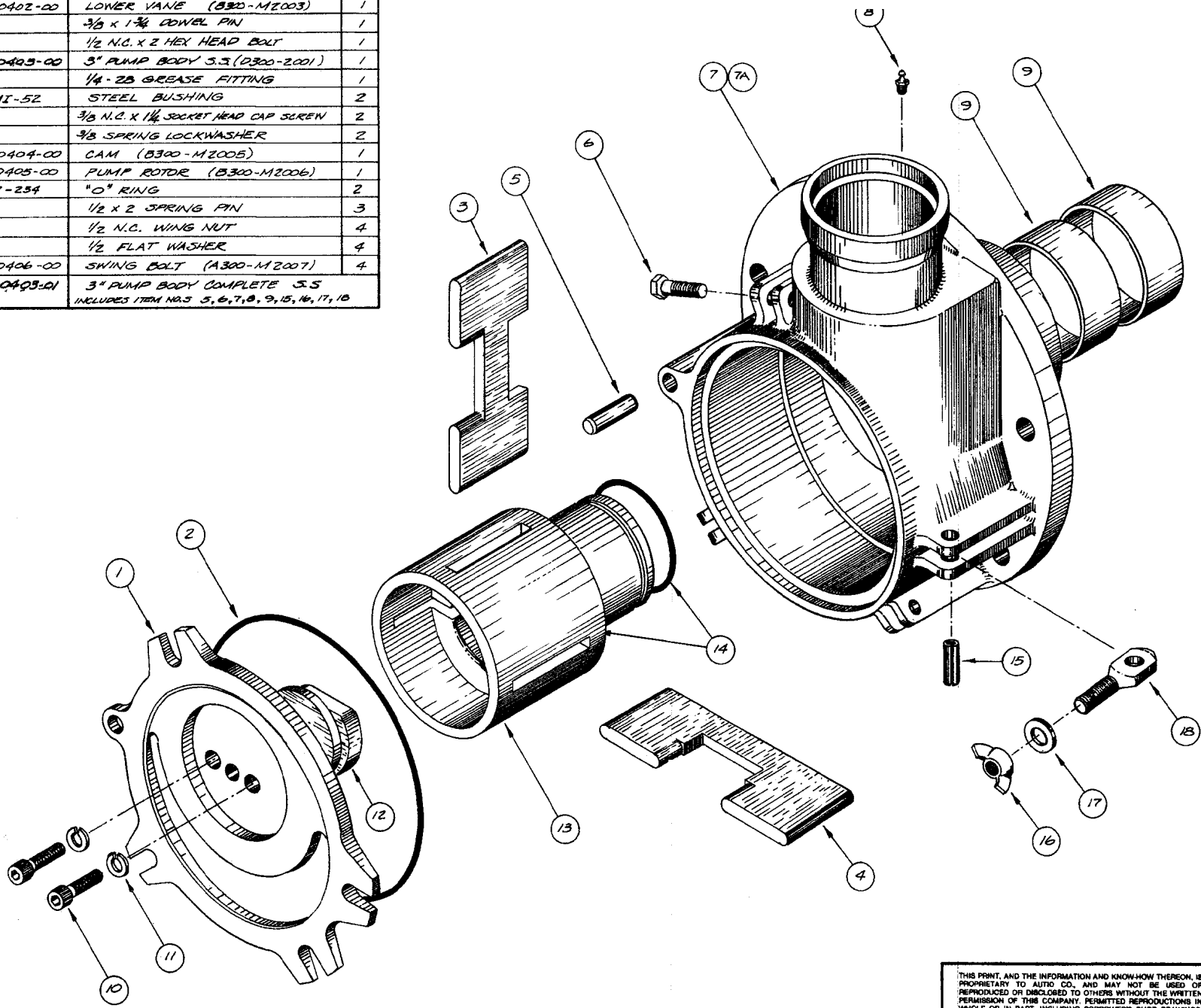


ITEM NO.	PART NUMBER	DESCRIPTION	NO. REQ'D
1	SC300-0400-00	PUMP COVER S.S. (D300-M2002)	1
2	300-2-26B	"O" RING	1
3	B300-0401-00	UPPER VANE (B300-M2004)	1
4	B300-0402-00	LOWER VANE (B300-M2003)	1
5		3/8 x 1 3/4 DOWEL PIN	1
6		1/2 N.C. x 2 HEX HEAD BOLT	1
7	SC300-0403-00	3" PUMP BODY S.S. (D300-2001)	1
8		1/4-28 GREASE FITTING	1
9	300-MI-52	STEEL BUSHING	2
10		3/8 N.C. x 1 1/4 SOCKET HEAD CAP SCREW	2
11		3/8 SPRING LOCKWASHER	2
12	C300-0404-00	CAM (B300-M2005)	1
13	C300-0405-00	PUMP ROTOR (B300-M2006)	1
14	300-2-234	"O" RING	2
15		1/2 x 2 SPRING PIN	3
16		1/2 N.C. WING NUT	4
17		1/2 FLAT WASHER	4
18	B300-0406-00	SWING BOLT (A300-M2007)	4
7A	SC300-0403-01	3" PUMP BODY COMPLETE S.S. INCLUDES ITEM NOS. 5, 6, 7, 8, 9, 15, 16, 17, 18	



NOTES:

THIS PRINT, AND THE INFORMATION AND KNOW-HOW THEREON, IS PROPRIETARY TO AUTO CO., AND MAY NOT BE USED OR REPRODUCED OR DISCLOSED TO OTHERS WITHOUT THE WRITTEN PERMISSION OF THIS COMPANY. PERMITTED REPRODUCTIONS IN WHOLE OR IN PART, INCLUDING BORROWER'S SHOP DRAWINGS, SHALL BEAR OR REFER TO THIS NOTICE. RETURN OF THIS PRINT MUST BE MADE TO AUTO CO. UPON REQUEST.		MATERIAL: PER ORDER	
FINISH: PER ORDER		DWG. TITLE: 3" S.S. PUMP ASSY	
DWG. NO. SC300-0901-00		REV. BR. NO.	

**AUTO** company  
SPECIALIZED EQUIPMENT FOR THE FOOD INDUSTRY  
83750 AUTO LOOP - ASTORIA, OREGON 97103 - USA  
(503) 452-6151 • (800) 463-2884 • (503) 452-6109

DWG. SCALE (unless otherwise noted) NONE	TOLERANCES: FRACTIONS ± ANGULAR ± DECIMAL ± X.X2 ±	DWN. BY: ART. HATBAU	DATE 10/83
DO NOT SCALE DWG.	UNLESS OTHERWISE NOTED	ENGR.	DATE
PRINT ISSUE DATE	NEXT ASSEMBLY:	APPROVED BY:	DATE



SPECIALIZED EQUIPMENT FOR THE FOOD INDUSTRY

93750 AUTIO LOOP • ASTORIA, OREGON 97103 • USA  
 (503) 458-6191 • (800) 483-8884 • (503) 458-6409

**PARTS LIST**  
**Call 800-483-8884**  
**for price and availability**

**#300-SS STAINLESS STEEL PUMP ASSEMBLY (BORED FOR LINER)**

ITEM NO.	PART NUMBER	DESCRIPTION	NBR. REQ.
	#300-SS-01	3" STAINLESS STEEL PUMP, COMPLETE WITH DELRIN LINER AND COVER INSERT RING INSTALLED	
	#300-SS-SS-01	AS ABOVE, WITH STAINLESS COMPONENTS	
	#300-SS-UN-01	AS ABOVE WITH UNPLATED COMPONENTS	
	#300-SS-02	3" STAINLESS STEEL PUMP, COMPLETE WITH TOOL STEEL LINER AND COVER INSERT RING INSTALLED	
	#300-SS-SS-02	AS ABOVE WITH S/S COMPONENTS	
	#300-SS-UN-02	AS ABOVE WITH UNPLATED COMPONENTS	
1	SC300-0400	PUMP COVER, STAINLESS STEEL -----	1
	SC300-0400-1	PUMP COVER, STAINLESS STEEL WITH DOUBLE O-RING GROOVE & COVER INSERT RING INSTALLED	
2	2-268	COVER O-RING -----	2
3	300-0401-00	UPPER (H) PUMP VANE -----	1
4	300-0402-00	LOWER (C) PUMP VANE -----	1
	3-0401/0402-STD	3" UPPER/LOWER PUMP VANE SET -----	1 SET
	3-0401/0402-UNPL	3" UPPER/LOWER PUMP VANE SET, UNPLATED -----	1 SET
5		3/8 x 1-3/4 DOWEL PIN -----	1
6		1/2 N.C. X HEX HEAD BOLT -----	1
7	SC300-0403-8.25	3" PUMP BODY, STAINLESS STEEL -----	1
8		1/4-28 GREASE FITTING, SS -----	1
9	300-MI-52	STEEL BUSHINGS (2 PCS)-----	1 SET
10		3/8 NC X 1-1/4 HEX HEAD CAPSCREWS -----	2
11		3/8 SPRING LOCKWASHER -----	2
12	300-0409-00	CAM, HEART-SHAPED -----	1
	300-0409-01	CAM, HEART-SHAPED, UNPLATED -----	1
	300-0404-00	CAM, STANDARD (OLD STYLE) -----	1
13	300-0405-00	PUMP ROTOR -----	1
		PUMP ROTOR, UNPLATED -----	1
14	2-234	ROTOR O-RING -----	2
15		1/2 X 2 SPRING PIN -----	3
18	SC300-0417-00	SWING BOLT, STAINLESS STEEL WITH WING NUT (16) AND WASHER (17)	4
7-A	SC300-0403 B	3" S/S BODY, BORED FOR LINER *-----	
	SC300-0403 D	3" S/S BODY W/DELTRIN LINER INSTALLED*-----	
	SC300-0403 TS	3" S/S BODY W/TOOL STEEL LINER INSTALLED*-----	
		*(Includes items # 5, 6, 7, 8, 9, 15, 16, 17 & 18)	
<b>NOT PICTURED:</b>			
	300-0408-00	3" DELRIN LINER -----	
	300-0413-00	3" TOOL STEEL LINER -----	
	300-0410-00	COVER INSERT RING-----	
	3-0401/0402-SS	SET STAINLESS STEEL VANES -----	
	3-0401/0402-D2	SET D-2 VANES -----	
	300-0405-SS	3" S/S ROTOR-----	
	300-0409-SS	3" S/S CAM -----	

*This equipment must be installed & operated according to all applicable safety regulations.*

Prices subject to change without notice. Payable in U. S. Funds  
 F.O.B. Plant - Astoria, Oregon U.S.A.  
 Effective: March 1, 2014 Complete Pump Weight: 130 Lbs.