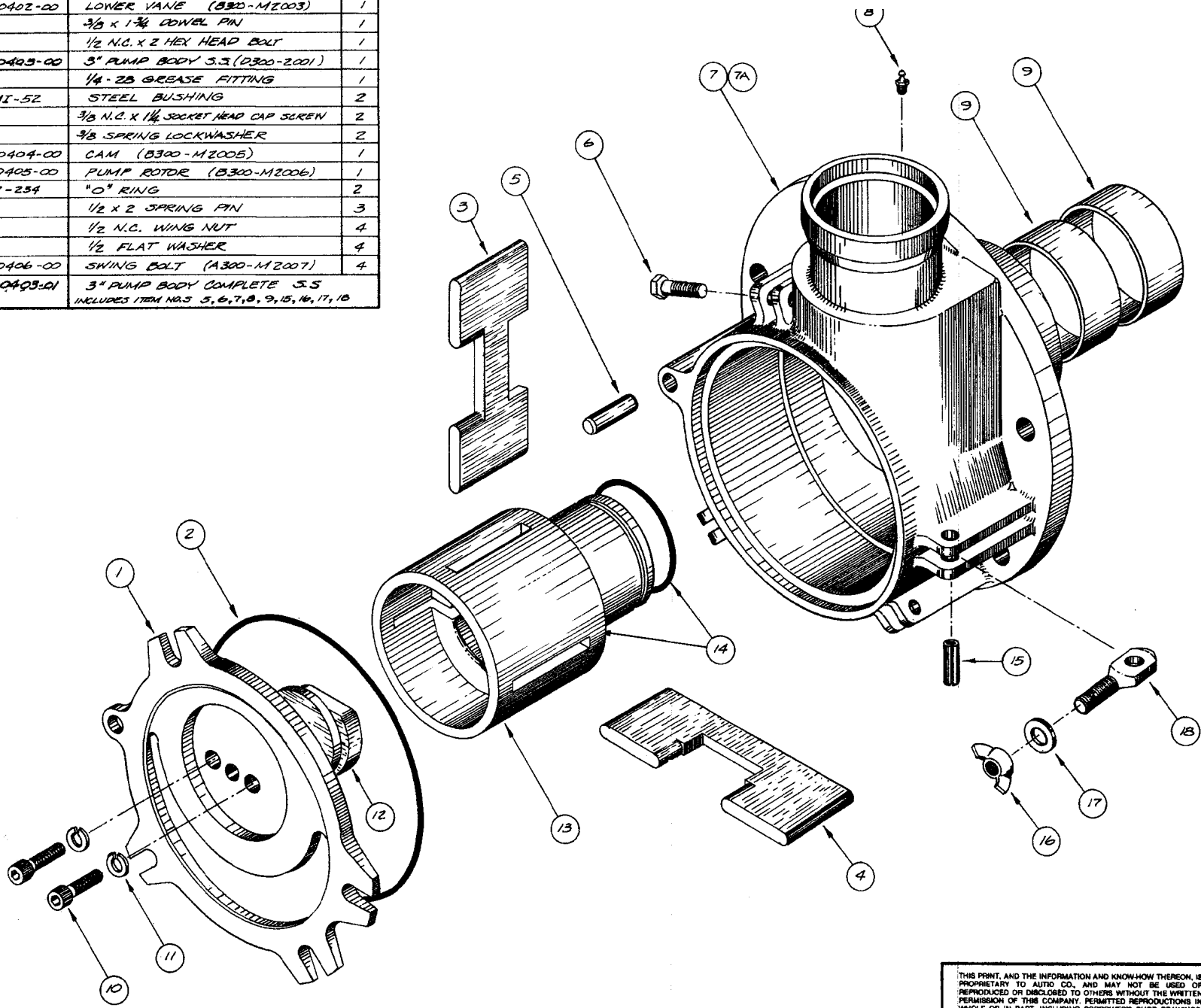


ITEM NO.	PART NUMBER	DESCRIPTION	NO. REQ'D
1	SC300-0400-00	PUMP COVER S.S. (D300-M2002)	1
2	300-2-26B	"O" RING	1
3	B300-0401-00	UPPER VANE (B300-M2004)	1
4	B300-0402-00	LOWER VANE (B300-M2003)	1
5		3/8 x 1 3/4 CONICAL PIN	1
6		1/2 N.C. x 2 HEX HEAD BOLT	1
7	SC300-0403-00	3" PUMP BODY S.S. (D300-2001)	1
8		1/4-28 GREASE FITTING	1
9	300-MI-52	STEEL BUSHING	2
10		3/8 N.C. x 1 1/4 SOCKET HEAD CAP SCREW	2
11		3/8 SPRING LOCKWASHER	2
12	C300-0404-00	CAM (B300-M2005)	1
13	C300-0405-00	PUMP ROTOR (B300-M2006)	1
14	300-2-234	"O" RING	2
15		1/2 x 2 SPRING PIN	3
16		1/2 N.C. WING NUT	4
17		1/2 FLAT WASHER	4
18	B300-0406-00	SWING BOLT (A300-M2007)	4
7A	SC300-0403-01	3" PUMP BODY COMPLETE S.S. INCLUDES ITEM NOS. 5, 6, 7, 8, 9, 15, 16, 17, 18	



NOTES:

THIS PRINT, AND THE INFORMATION AND KNOW-HOW THEREON, IS PROPRIETARY TO AUTO CO., AND MAY NOT BE USED OR REPRODUCED OR DISCLOSED TO OTHERS WITHOUT THE WRITTEN PERMISSION OF THIS COMPANY. PERMITTED REPRODUCTIONS IN WHOLE OR IN PART, INCLUDING BORROWER'S SHOP DRAWINGS, SHALL BEAR OR REFER TO THIS NOTICE. RETURN OF THIS PRINT MUST BE MADE TO AUTO CO. UPON REQUEST.		MATERIAL: PER ORDER	
FINISH: PER ORDER		DWG. TITLE: 3" S.S. PUMP ASSY	
DWG. NO. SC300-0901-00		REV. BR. NO.	

**AUTO** company  
SPECIALIZED EQUIPMENT FOR THE FOOD INDUSTRY  
83750 AUTO LOOP - ASTORIA, OREGON 97103 - USA  
(503) 452-6151 • (800) 463-2884 • (503) 452-6109

DWG. SCALE (unless otherwise noted) NONE	TOLERANCES: FRACTIONS ± ANGULAR ± DECIMAL ± X.X2 ±	DWN. BY: ART. HATBAU	DATE 10/83
DO NOT SCALE DWG. PRINT ISSUE DATE	UNLESS OTHERWISE NOTED NEXT ASSEMBLY:	ENGR.	DATE
APPROVED BY:		DATE	



SPECIALIZED EQUIPMENT FOR THE FOOD INDUSTRY

93750 AUTIO LOOP • ASTORIA, OREGON 97103 • USA  
 (503) 458-6191 • (800) 483-8884 • (503) 458-6409

**PARTS LIST**  
**Call 800-483-8884**  
**for price and availability**

**#300-SS STAINLESS STEEL PUMP ASSEMBLY, DWG. #SC300-0901-00**

ITEM NO.	PART NUMBER	DESCRIPTION	NBR. REQ.
	300 SS	3" STAINLESS STEEL PUMP, COMPLETE -----	
	300 SS SS	3" STAINLESS STEEL PUMP, COMPLETE W/STAINLESS-----	
		COMPONENTS	
1	SC300-0400	PUMP COVER, STAINLESS STEEL -----	1
2	2-268	COVER O-RING -----	1
3	300-0401-00	UPPER (H) PUMP VANE -----	1
4	300-0402-00	LOWER (C) PUMP VANE -----	1
	3-0401/0402-STD	3" UPPER/LOWER PUMP VANE SET -----	1 SET
	3-0401/0402-UNPL	3" UPPER/LOWER PUMP VANE SET, UNPLATED -----	1 SET
5		3/8 x 1-3/4 DOWEL PIN -----	1
6		1/2 N.C. X HEX HEAD BOLT -----	1
7	SC300-0403-00	3" PUMP BODY, STAINLESS STEEL -----	1
8		1/4-28 GREASE FITTING, SS -----	1
9	300-MI-52	STEEL BUSHINGS -----(2 PCS) -----	1 SET
10		3/8 NC X 1-1/4 HEX HEAD CAPSCREWS -----	2
11		3/8 SPRING LOCKWASHER -----	2
12	300-0409-00	CAM, HEART-SHAPED -----	1
	300-0409-01	CAM, HEAR-SHAPED, UNPLATED -----	1
	300-0404-00	CAM, STANDARD (OLD STYLE) -----	1
13	300-0405-00	PUMP ROTOR -----	1
	300-0405-01	PUMP ROTOR, UNPLATED -----	1
14	2-234	ROTOR O-RING -----	2
15		1/2" X 2" SPRING PIN -----	3
18	SC300-0417-00	SWING BOLT, STAINLESS STEEL, COMP WITH -----	4
		WING NUT (16) & WASHER (17)	
7-A	SC300-0403	3" PUMP BODY COMPLETE, STAINLESS STEEL -----	
		Includes items # 5, 6, 7, 8, 9, 15, 16, 17 & 18	

**ALTERNATIVE PARTS AVAILABLE UPON REQUEST:**

3-0401/0402-D2	UPPER/LOWER PUMP VANE SET, D-2 -----	1SET
3-0401/0402-SS	UPPER/LOWER PUMP VANE SET, STAINLESS STEEL ---	1 SET
300-0405-SS	PUMP ROTOR, 17-4, STAINLESS STEEL -----	1
300-0409-SS	CAM, HEART SHAPED, STAINLESS STEEL (440C) -----	1

*This equipment must be installed & operated according to all applicable safety regulations.*

Prices subject to change without notice.  
 F.O.B. Plant - Astoria, Oregon U.S.A.  
 Effective: March 1, 2014

Payable in U. S.Funds  
 Complete Pump Weight: 130 Lbs.