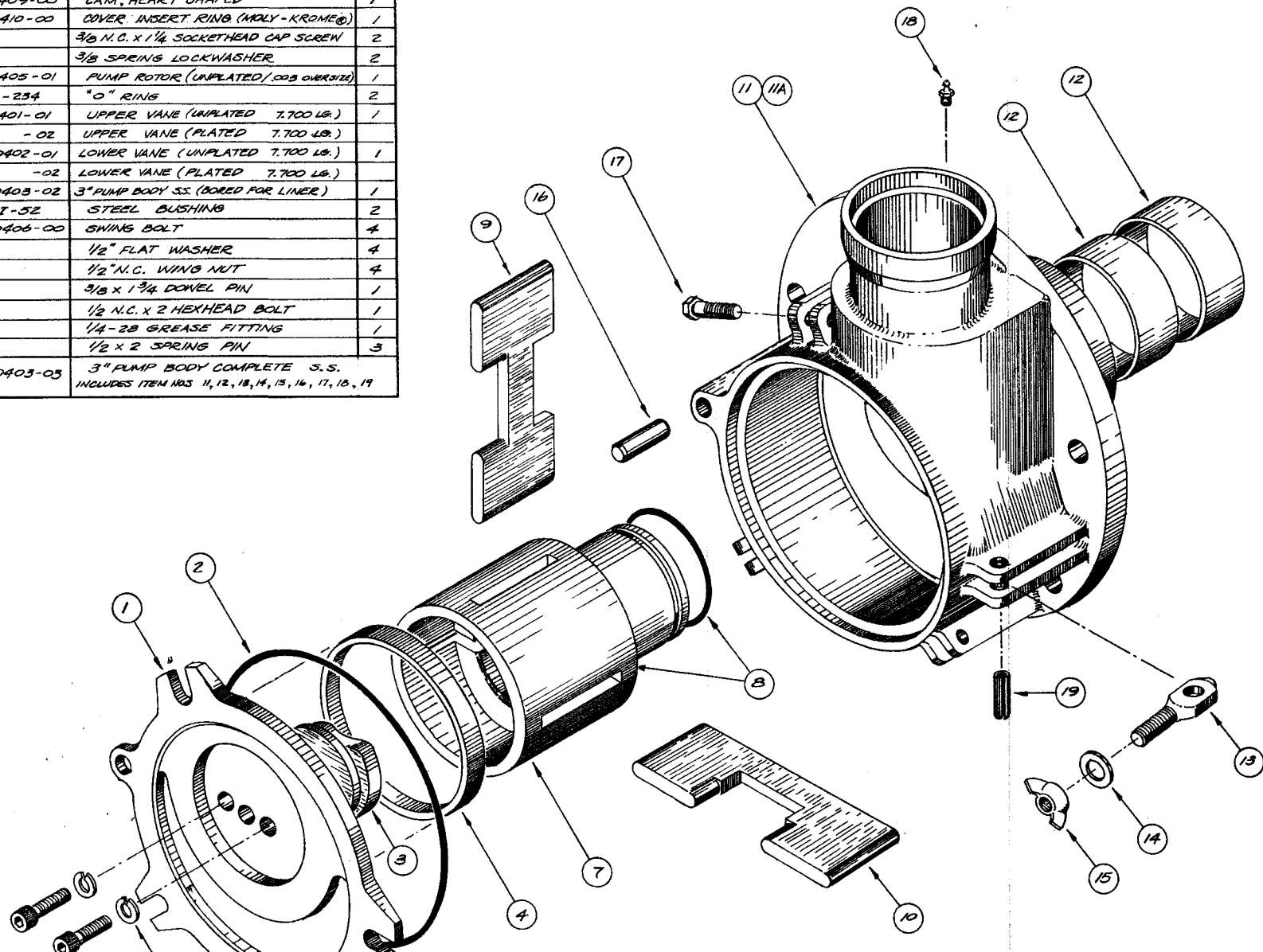


ITEM NO.	PART NUMBER	DESCRIPTION	NO. REQ'D
1	SC300-0400-01	PUMP COVER, S.S., WITH SPECIAL "O" RING GROOVE & ITEM 4	1
2	300-2-26B	"O" RING	1
3	B300-0409-00	CAM, HEART SHAPED	1
4	B300-0410-00	COVER INSERT RING (MOLY-KROME®)	1
5		3/8 N.C. x 1/4 SOCKETHEAD CAP SCREW	2
6		3/8 SPRING LOCKWASHER	2
7	C300-0405-01	PUMP ROTOR (UNPLATED/.005 GRIND)	1
8	300-2-254	"O" RING	2
9	B300-0401-01	UPPER VANE (UNPLATED 7.700 LB.)	1
	-02	UPPER VANE (PLATED 7.700 LB.)	
10	B300-0402-01	LOWER VANE (UNPLATED 7.700 LB.)	1
	-02	LOWER VANE (PLATED 7.700 LB.)	
11	SC300-0403-02	3" PUMP BODY SS. (BORED FOR LINER)	1
12	300-MI-52	STEEL BUSHING	2
13	B300-0406-00	SWING BOLT	4
14		1/2" FLAT WASHER	4
15		1/2" N.C. WING NUT	4
16		3/8 x 1 3/4 DOWEL PIN	1
17		1/2 N.C. x 2 HEXHEAD BOLT	1
18		1/4-28 GREASE FITTING	1
19		1/2 x 2 SPRING PIN	3
11A	SC300-0403-03	3" PUMP BODY COMPLETE S.S. INCLUDES ITEM NOS 11, 12, 13, 14, 15, 16, 17, 18, 19	





SPECIALIZED EQUIPMENT FOR THE FOOD INDUSTRY

93750 AUTIO LOOP • ASTORIA, OREGON 97103 • USA
 (503) 458-6191 • (800) 483-8884 • (503) 458-6409

PARTS LIST
Call 800-483-8884
for price and availability

#300-SS-MP, 3" STAINLESS STEEL AUTIO PUMP SPECIAL (Bored for Liner)

ITEM NO.	PART NUMBER	DESCRIPTION	NBR. REQ.	(U.S.\$) LIST PRICE
	#300-SS-MP	3" AUTIO PUMP COMPLETE, STAINLESS STEEL, W/DELIN LINER, DOUBLE O-RING GROOVE, COVER INSERT RING INSTALLED, & UNPLATED ROTOR, CAM & VANES 4 EXTRA HOLES PER MOUNT, NO GREASE HOLES, WELDED PIN, SLOTTED LINER, O-RING GROOVE ON BOTTOM		6,285.00
	300-SS-MP-02	3" AUTIO PUMP COMPLETE, STAINLESS STEEL, W/TOOL STEEL LINER, DOUBLE O-RING GROOVE, COVER INSERT RING INSTALLED, & UNPLATED ROTOR, CAM & VANES 4 EXTRA HOLES PER MOUNT, NO GREASE HOLES, WELDED PIN, SLOTTED LINER, O-RING GROOVE ON BOTTOM		6,858.00
1	SC300-0400-01	3" S/S PUMP COVER, W/DOUBLE O-RING GROOVE & COVER INSERT RING INSTALLED -----	1	
2	2-268	COVER O-RING -----	2	
3	300-0409-00	CAM, HEART-SHAPED -----	1	
	300-0409-01	CAM, HEART-SHAPED, UNPLATED -----		
4	300-0410-00	COVER INSERT RING -----	1	
5		3/8 NC X 1-1/4 SOCKETHEAD CAPSCREW -----	2	
6		3/8 SPRING LOCKWASHER -----	2	
7	300-0405-00	PUMP ROTOR -----	1	
	300-0405-01	PUMP ROTOR, UNPLATED -----		
8	2-234	ROTOR O-RING -----	2	
9	300-0401-00	UPPER (H) PUMP VANE -----	1	
	300-0401-01	UPPER (H) PUMP VANE, UNPLATED -----		
10	300-0402-00	LOWER (C) PUMP VANE -----	1	
	300-0402-01	LOWER (C) PUMP VANE, UNPLATED -----		
	300-0401/0402	UPPER/LOWER PUMP VANE SET -----	1 SET	
	3-0401/0402-1	UPPER/LOWER PUMP VANE SET, UNPLATED -----	1 SET	
11	SC300-0403-02	3" STAINLESS PUMP BODY, BORED FOR LINER -----	1	
12	300-MI-52	STEEL BUSHING, (2 PIECES) -----	1 SET	
13	SC300-0417-00	SWING BOLT, STAINLESS STEEL -----	4	
14		1/2" FLAT WASHER -----	4	
15		1/2" N.C. WING NUT -----	4	
16		3/8 X 1-3/4 DOWEL PIN -----	1	
17		1/2 N.C. X 2 HEXHEAD BOLT -----	1	
17		1.4-28 GREASE FITTING, SS -----	1	
19		1/2 X 2 SPRING PIN -----	3	
11-A	SC300-0403-02	3" SS PUMP BODY, COMPLETE, BORED FOR LINER ----- (Includes Items #11, 12, 13, 14, 15, 16, 17, 18, 19)		
	SC300-0403-1A	3" S/S BODY BORED FOR LINER, WELDED PIN, NO GREASE HOLES 4 EXTRA HOLES PER MOUNT, O-RING ON BOTTOM		
NOT PICTURED:				
	300-0408-00	DELIN LINER -----	1	
	300-0418-00	TOOL STEEL LINER -----	1	

This equipment must be installed & operated according to all applicable safety regulations.

Prices subject to change without notice.
 Effective: March 1, 2014

Payable in U. S. Funds
 F.O.B. Plant - Astoria, Oregon U.S.A.