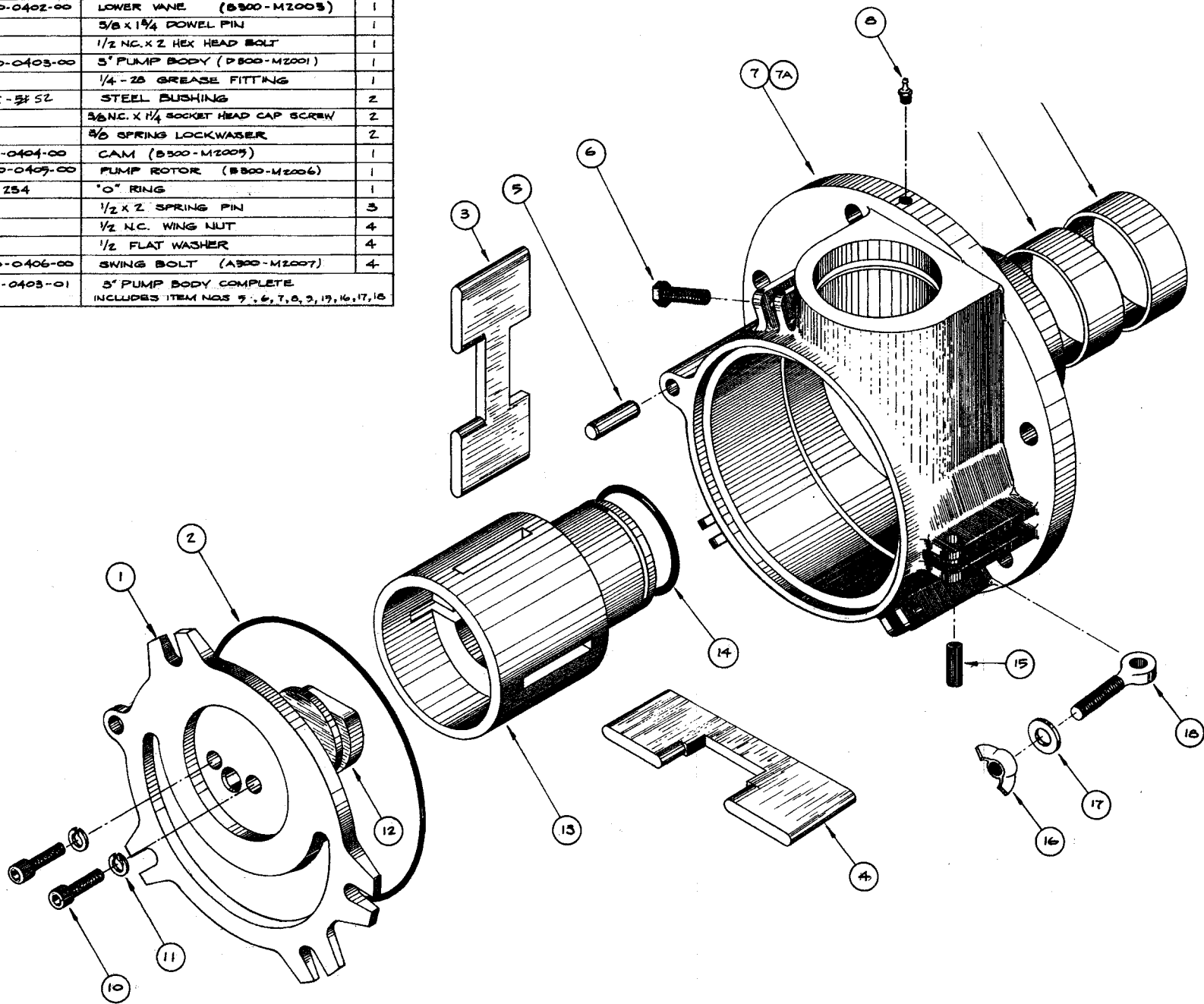


ITEM NO.	PART NUMBER	DESCRIPTION	NO. REQ'D
1	D-500-0400-00	PUMP COVER (D500-M2002)	1
2	2-265	O-RING	1
3	B-500-0401-00	UPPER VANE (B500-M2004)	1
4	B-500-0402-00	LOWER VANE (B500-M2005)	1
5		5/8 X 1 1/4 DOWEL PIN	1
6		1/2 NC. X 2 HEX HEAD BOLT	1
7	D-500-0403-00	5" PUMP BODY (D500-M2001)	1
8		1/4-28 GREASE FITTING	1
9	MI-5152	STEEL BUSHING	2
10		3/8 NC. X 1/4 SOCKET HEAD CAP SCREW	2
11		3/8 SPRING LOCKWASER	2
12	C-500-0404-00	CAM (C500-M2009)	1
13	C-500-0405-00	PUMP ROTOR (C500-M2006)	1
14	2-254	O-RING	1
15		1/2 X 2 SPRING PIN	3
16		1/2 NC. WING NUT	4
17		1/2 FLAT WASHER	4
18	B-500-0406-00	SWING BOLT (A500-M2007)	4
7A	D-500-0403-01	5" PUMP BODY COMPLETE INCLUDES ITEM NOS 5, 6, 7, 8, 9, 10, 11, 15	



AUTIO company
SPECIALIZED EQUIPMENT FOR THE FOOD INDUSTRY
93750 AUTO LOOP - ASTORIA, OREGON 97103 - USA
(503) 458-6191 • (800) 483-8884 • (503) 458-6429

DWG SCALE
NONE
(EXCEPT AS NOTED)
PRINT ISSUE DATE

TOLERANCES -
FRACTIONS &
ANGULAR &
DECIMAL

DWN BY:
ART MATSON
ENGR.
DATE: 12/4/79

NEXT ASSY:

APPR BY:
DATE:

REV: 01/18



SPECIALIZED EQUIPMENT FOR THE FOOD INDUSTRY

93750 AUTIO LOOP • ASTORIA, OREGON 97103 • USA
 (503) 458-6191 • (800) 483-8884 • (503) 458-6409

PARTS LIST

Call 800-483-8884
 for price and availability

3" PUMP ASSEMBLY, DWG. #C-300-0900-00

ITEM NO.	PART NUMBER	DESCRIPTION	NBR. REQ.
	300 BLACK	3" AUTIO PUMP COMPLETE, BLACK -----	
	300 HTR	3" AUTIO PUMP COMPLETE, BLACK, HEAT-TREATED -----	
1	300-0400-00	PUMP COVER, BLACK -----	1
	300-0400-HT	PUMP COVER, BLACK, HEAT-TREATED -----	
2	2-268	COVER O-RING -----	1
3	300-0401-00	UPPER (H) PUMP VANE -----	1
	300-0402-00	LOWER (C) PUMP VANE -----	1
	300-0401/0402-STD	3" UPPER/LOWER PUMP VANE SET -----	1 SET
		(Vaness can be ordered individually or in a set)	
5		3/8 x 1-3/4 DOWEL PIN -----	1
6		1/2 N.C. X 2 HEX HEAD BOLT -----	1
7	300-0403-00	3" PUMP BODY, BLACK -----	
		3" PUMP BODY, BLACK, HEAT-TREATED -----	
8		1/4-28 GREASE FITTING -----	
9	300-MI-52	HARDENED STEEL BUSHING, 2 PIECE SET -----	1 SET
10		3/8 NC X 1-1/4 HEX HEAD CAPSCREW -----	2
11		3/8 SPRING LOCKWASHER -----	2
12	300-0409-00	CAM, HEART-SHAPED -----	1
	300-0409-01	CAM, HEART-SHAPED, UNPLATED -----	
	300-0404-00	CAM, STANDARD (OLD STYLE) -----	
	300-0404-01	CAM, STANDARD (OLD STYLE), UNPLATED -----	
13	300-0405-00	PUMP ROTOR -----	1
	300-0405-01	PUMP ROTOR, UNPLATED -----	
14	2-234	ROTOR O-RING -----	2
15		1/2 X 2 SPRING PIN -----	3
18	300-0406-00	SWING BOLT, COMP WITH WING NUT(16) & WASHER (17)- --	4
7-A	300-0403-BLACK	3" PUMP BODY, COMPLETE, BLACK -----	
7-B	300-0403-HTR	3" PUMP BODY, COMPLETE, BLACK, HEAT-TREATED -----	
		<i>Note: 7-A & 7-B includes items #5,6,7,8,9,15,16,17,18</i>	
		**ADDITIONAL \$125.00 TO BORE FOR LINER	
	<u>NOT PICTURED:</u>		
	300-0407-00	PUMP MOUNTING GASKET -----	1

This equipment must be installed & operated according to all applicable safety regulations.