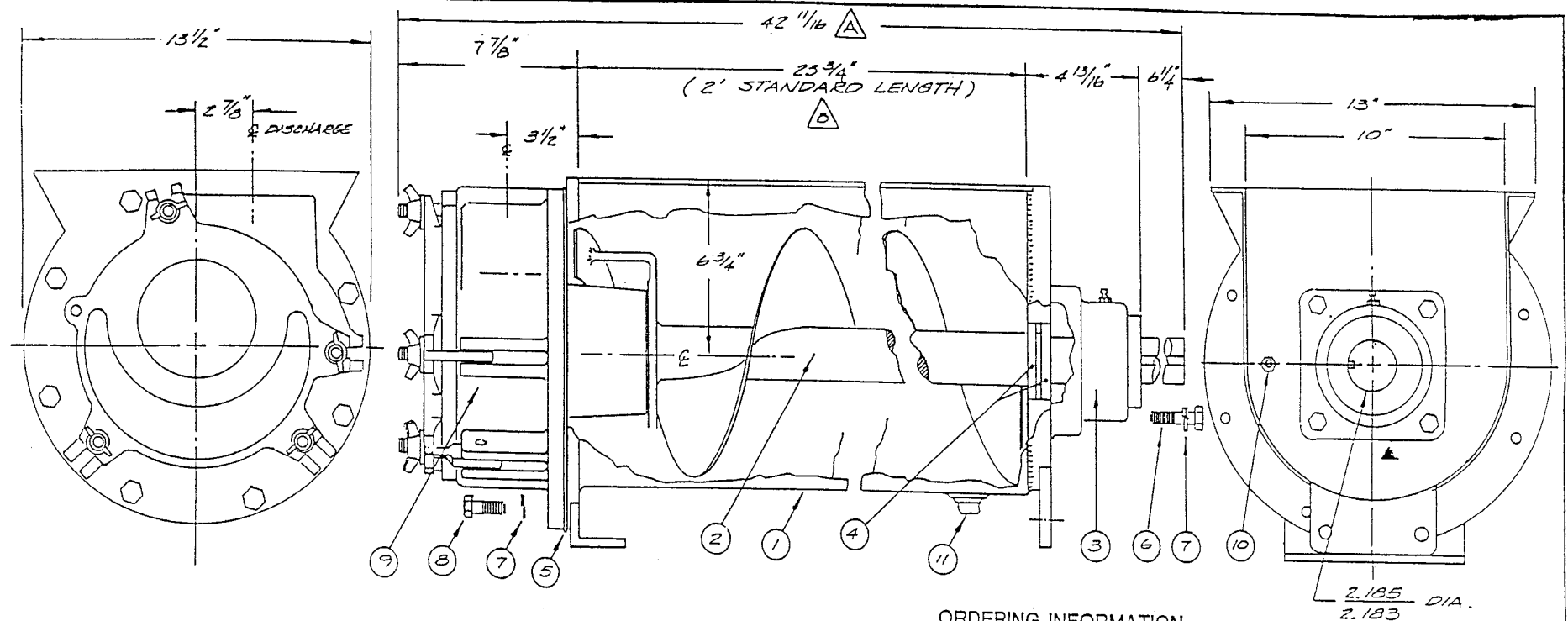


Autio 307 Blister Assembly Parts Drawing



ORDERING INFORMATION

PUMP, BLISTER & AUGER SYMBOLS

P PLATED
 B BLACK
 S STAINLESS STEEL

307X-0905-XX LENGTH IN INCHES

NON STD. KEYSEAT
 1/2" W x 3/8" DEEP x 6 1/4" LONG

| NO. | PART NUMBER | DESCRIPTION | NO. REQ'D |
|-----|--------------|---------------------------------------|-----------|
| 1 | 307X-0902-XX | BLISTER HOUSING | 1 |
| 2 | 307X-0402-XX | BLISTER AUGER | 1 |
| 3 | 307-0403-00 | REAR BRG. 2 3/4" BORE TYPE E MODIFIED | 1 |
| 4 | 63x1555 | GREASE SEAL | 2 |
| 5 | 300-0407-00 | PUMP GASKET (A305-M101) | 1 |
| 6 | | 5/8" NG. x 2" HEX HEAD CAPSCREW | 4 |
| 7 | | 5/8" SPRING LOCKWASHER | 11 |
| 8 | | 1/2" NG. x 1 1/4" HEX HEAD CAPSCREW | 7 |
| 9 | 300 X | 3" AUTO PUMP (COMP.) | 1 |
| 10 | | 1/4" ZB ZERK FITTING | 1 |
| 11 | | 1" NPT PIPE PLUG (OPTIONAL) | 1 |
| 12 | | | |

| 0905 - XX | A" | B" |
|-----------|----------|--------|
| 0905 - 24 | 42 1/16 | 23 3/4 |
| 0905 - 36 | 54 1/16 | 35 3/4 |
| 0905 - 48 | 66 1/16 | 47 3/4 |
| 0905 - 60 | 78 1/16 | 59 3/4 |
| 0905 - 72 | 90 1/16 | 71 3/4 |
| 0905 - 84 | 102 1/16 | 83 3/4 |
| 0905 - 96 | 114 1/16 | 95 3/4 |

NOTES:

THIS PRINT, AND THE INFORMATION AND KNOW-HOW THEREON, IS PROPRIETARY TO AUTO CO. AND MAY NOT BE USED OR REPRODUCED OR DISCLOSED TO OTHERS WITHOUT THE WRITTEN PERMISSION OF THIS COMPANY. PERMITTED REPRODUCTIONS IN WHOLE OR IN PART, INCLUDING BORROWER'S SHOP DRAWINGS, SHALL BEAR OR REFER TO THIS NOTICE. RETURN OF THIS PRINT MUST BE MADE TO AUTO CO., UPON REQUEST.

MATERIAL:
 PER ORDER

FINISH:
 PER ORDER

AUTIO company
 RT. 4 BOX 480
 ASTORIA, OREGON 97102 U.S.A.
 503/458-6191 TWX 910/465-8010

DWG. SCALE:
 (unless otherwise noted)
 1/4" = 1"
 DO NOT SCALE DWG.
 PRINT ISSUE DATE

TOLERANCES:
 FRACTIONS = 1/16
 ANGULAR =
 DECIMAL =
 UNLESS OTHERWISE NOTED
 NEXT ASSEMBLY:

OWN. BY:
 A. MATSON
 ENGR.

DATE
 4/84

DWG. TITLE:
 307 BLISTER ASSY.
 (COMPLETE) PUMPING
 UNIT

DWG. NO. 307X-0905-XX REV. SH. NO.



SPECIALIZED EQUIPMENT FOR THE FOOD INDUSTRY

93750 AUTIO LOOP • ASTORIA, OREGON 97103 • USA
 (503) 458-6191 • (800) 483-8884 • (503) 458-6409

PARTS LIST
Call 800-483-8884
for price and availability

307 BLISTER ASSEMBLY, COMPLETE (PUMPING UNIT) DWG. NO. 307X-0905-XX

| ITEM NO. | PART NUMBER | DESCRIPTION | NBR. REQ. |
|----------|---------------|--|-----------|
| 1 | 307B-0902-24 | BLISTER HOUSING, BLACK, 24" ----- ADDITIONAL LENGTH, 307 BLACK HOUSING, PER FOOT ----- | 1 |
| | 307S-0902-24 | BLISTER HOUSING, STAINLESS STEEL, 24" ----- ADDITIONAL LENGTH, 307 S/S HOUSING, PER FOOT ----- | |
| 2 | 307B-0402-24 | BLISTER AUGER, BLACK, 24" ----- ADDITIONAL LENGTH, 307 BLACK AUGER, PER FOOT ----- | 1 |
| | 307B-24R | BLISTER AUGER, BLACK, 24", COMPLETE W/REMOVABLE AUGER END ----- ADDITIONAL LENGTH, 307 BLACK AUGER, PER FOOT ----- | 1 |
| | 307S-0402-24 | BLISTER AUGER, STAINLESS STEEL, 24" ----- ADDITIONAL LENGTH, 307 S/S AUGER, PER FOOT ----- | |
| | 307S-24R | BLISTER AUGER, STAINLESS STEEL, 24", COMPLETE W/REMOVABLE AUGER END -- ADDITIONAL LENGTH, 307 S/S AUGER, PER FOOT ----- | |
| | 306/307-SQEND | REMOVABLE AUGER SQUARE, ONLY----- | |

ADDITIONAL LENGTH, 307 BLACK BLISTER COMPLETE, UP TO 10 FT.

ADDITIONAL LENGTH, 307 STAINLESS STEEL BLISTER COMPLETE

| | | | |
|----|-------------|--|----|
| 3 | 307-0403-00 | REAR BEARING, 2-3/16" BORE, TYPE E, MODIF. ----- | 1 |
| 4 | 63X1555 | GREASE SEAL ----- | 2 |
| | 63X1555-SS | GREASE SEALS, STAINLESS STEEL ----- | |
| 5 | 300-0407-00 | PUMP MOUNTING GASKET ----- | 1 |
| 6 | | 5/8" N.C. X 2" HEXHEAD CAPSCREW ----- | 4 |
| 7 | | 5/8" SPRING LOCKWASHER ----- | 11 |
| 8 | | 1/2" N.C. X 1-1/4 HEXHEAD CAPSCREW ----- | 7 |
| 9 | #300 | 3" PUMP COMPLETE, BLACK ----- | 1 |
| | #300-HT | 3" PUMP COMPLETE, BLACK, HEAT-TREATED ----- | |
| | #300-SS | 3" PUMP COMPLETE, STAINLESS STEEL ----- | |
| 10 | | ZERK FITTING, SS ----- | 1 |
| 11 | | 1" NPT PIPE PLUG (Optional)----- | 1 |

This equipment must be installed & operated according to all applicable safety regulations.

Prices subject to change without notice.
 Effective: March 1, 2014

Payable in U. S. Funds
 F.O.B. Plant - Astoria, Oregon U.S.A.