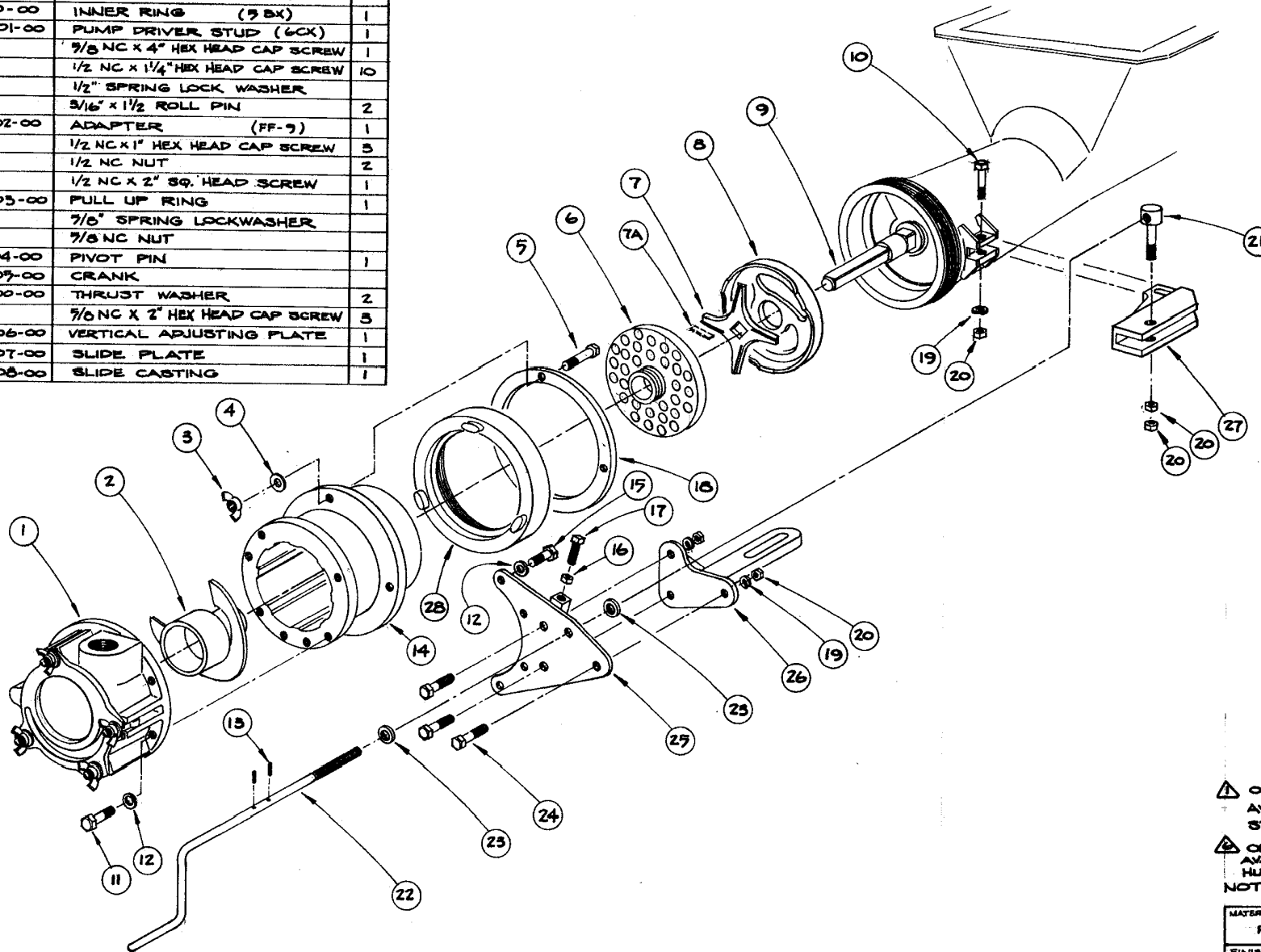


ITEM	PART NUMBER	DESCRIPTION	NO. REQ
1	300	3" AUTO PUMP	1
2	B-1102-0400-00	AUGER (FF-11)	1
3		1/2" N.C. WING NUT	4
4		1/2" FLAT WASHER	4
5		1/2 NC X 9" HEX HEAD CAP SCREW	4
6	11-2	REVERSIBLE HOLE PLATE	1
7	C-1102-0409-00	KNIFE HOLDER (5 AX)	1
7A	4A	KNIFE INSERTS (4 PER SET)	1
8	C-1102-0410-00	INNER RING (5 BX)	1
9	B-1102-0401-00	PUMP DRIVER STUD (6CX)	1
10		7/8 NC X 4" HEX HEAD CAP SCREW	1
11		1/2 NC X 1 1/4" HEX HEAD CAP SCREW	10
12		1/2" SPRING LOCK WASHER	
13		3/16" X 1 1/2" ROLL PIN	2
14	B-1102-0402-00	ADAPTER (FF-9)	1
15		1/2 NC X 1" HEX HEAD CAP SCREW	3
16		1/2 NC NUT	2
17		1/2 NC X 2" SQ. HEAD SCREW	1
18	B-1102-0403-00	FULL UP RING	1
19		7/8" SPRING LOCKWASHER	
20		7/8 NC NUT	
21	B-1102-0404-00	PIVOT PIN	1
22	B-1102-0407-00	CRANK	
23	A-1102-0500-00	THRUST WASHER	2
24		7/8 NC X 2" HEX HEAD CAP SCREW	3
25	B-1102-0406-00	VERTICAL ADJUSTING PLATE	1
26	B-1102-0407-00	SLIDE PLATE	1
27	A-1102-0408-00	SLIDE CASTING	1

ITEM	PART NUMBER	DESCRIPTION	NO. REQ
28	B-1102-0411-00	NOSE RING (1A)	1

PARTS LIST
 Call 800-483-8884
 for price and availability



△ OPTIONAL PUMP
 AVAILABLE IN
 STAINLESS
 △ OPTIONAL HOLE PLATE
 AVAILABLE WITH SOLID
 HUB. 1102
 NOTES:

MATERIAL:	PER ORDER
FINISH:	PER ORDER
DWG TITLE:	PUMP ADAPTER ASSY.
DWG NO:	C-1102-0900-00
REV:	04/02

AUTIO company
 SPECIALIZED EQUIPMENT FOR THE FOOD INDUSTRY
 80750 AUTO LOOP - ASTORIA, OREGON 97103 - USA
 (503) 438-8791 • (800) 483-8884 • (503) 438-8420

DWG SCALE: NONE (EXCEPT AS NOTED)	TOLERANCES: FRACTIONS: ANGULAR: DECIMAL:	DWN BY: A. MATSON	DATE:	DWG TITLE: PUMP ADAPTER ASSY.
PRINT ISSUE DATE:	UNLESS OTHERWISE NOTED NEXT ASSY:	ENGR:	DATE:	DWG NO: C-1102-0900-00
		APP'D BY:	DATE:	REV:



SPECIALIZED EQUIPMENT FOR THE FOOD INDUSTRY

93750 AUTIO LOOP • ASTORIA, OREGON 97103 • USA
 (503) 458-6191 • (800) 483-8884 • (503) 458-6409

PARTS LIST
Call 800-483-8884
for price and availability

1102 PUMP ADAPTER ASSEMBLY, DWG.#C-1102-0900-00

ITEM NO.	PART NUMBER	DESCRIPTION	NBR. REQ.
1	300	3" AUTIO PUMP COMPLETE, BLACK -----	1
	300 HT	3" AUTIO PUMP COMPLETE, BLACK, HEAT-TREATED -----	
	300 SS	3" AUTIO PUMP COMPLETE, STAINLESS STEEL -----	
2	1102-0400-00	AUGER (FF-11) -----	1
3		1/2" N.C. WING NUT -----	4
4		1/2" FLAT WASHER -----	4
5		1/2" N.C. X 6" HEX HEAD CAPSCREWS -----	4
6	11-2, ___	REV. HOLE PLATE, #11-2, (3/8" HOLES & LARGER) -----	1
6-A	11-2	LOCKSPRING PLATE BUSHING ASSEMBLY, 3-PC.-----	
	1102, ___	SOLID HUB PLATE, #1102 (3/8" HOLES & LARGER) -----	
		<i>(Please specify plate hole size when ordering.)</i>	
		<i>(Above plates have 1-3/4" diameter center hole to fit Item 9.)</i>	
7	1102-0409-01	KNIFE HOLDER (3AX) COMPLETE W/BLADES -----	1
		<i>(2" CENTER)</i>	
7-A	4A 1101	KNIFE INSERT BLADES (SET OF 4) -----	1
		<i>(PER BOX: 40 PCS/10 SETS)</i>	
8	1102-0410-00	INNER RING (5BX) -----	1
9	1102-0401-00	PUMP DRIVER STUD, 2-1/4" THREAD DIA. (6CX) -----	1
10		5/8 N.C. X 4" HEX HEAD CAPSCREW -----	1
11		1/2 N.C. X 1-1/4" HEX HEAD CAPSCREW -----	10
12		1/2" SPRING LOCKWASHER -----	
13		3/16" X 1-1/2" ROLL PIN -----	2
14	1102-0402-00	ADAPTER (FF-9) -----	1
15		1/2 N.C. X 1" HEX HEAD CAPSCREW -----	5
16		1/2" N.C. NUT -----	2
17		1/2" N.C. X 2" SQ. HEAD SCREW -----	1
18	1102-0403-00	PULL-UP RING -----	1
19		5/8" SPRING LOCKWASHER -----	1
20		5/8" N.C. NUT -----	1
21	1102-0404-00	PIVOT PIN -----	1
22	1102-0405-00	CRANK HANDLE-----	1
23	1102-0300-00	THRUST WASHER -----	2
24		5/8 N.C. X 2" HEX HEAD CAPSCREWS -----	3
25	1102-0406-00	VERTICAL ADJUSTING PLATE -----	1
26	1102-0407-00	SLIDE PLATE -----	1
27	1102-0408-00	SLIDE CASTING -----	1
28	1102-0411-00	NOSE RING (1A) -----	1
29	300-0407-00	PUMP MOUNTING GASKET -----	1

This equipment must be installed & operated according to all applicable safety regulations.

Prices subject to change without notice.
 Effective: March 1, 2014

Payable in U. S. Funds
 F.O.B. Plant - Astoria, Oregon U.S.A.