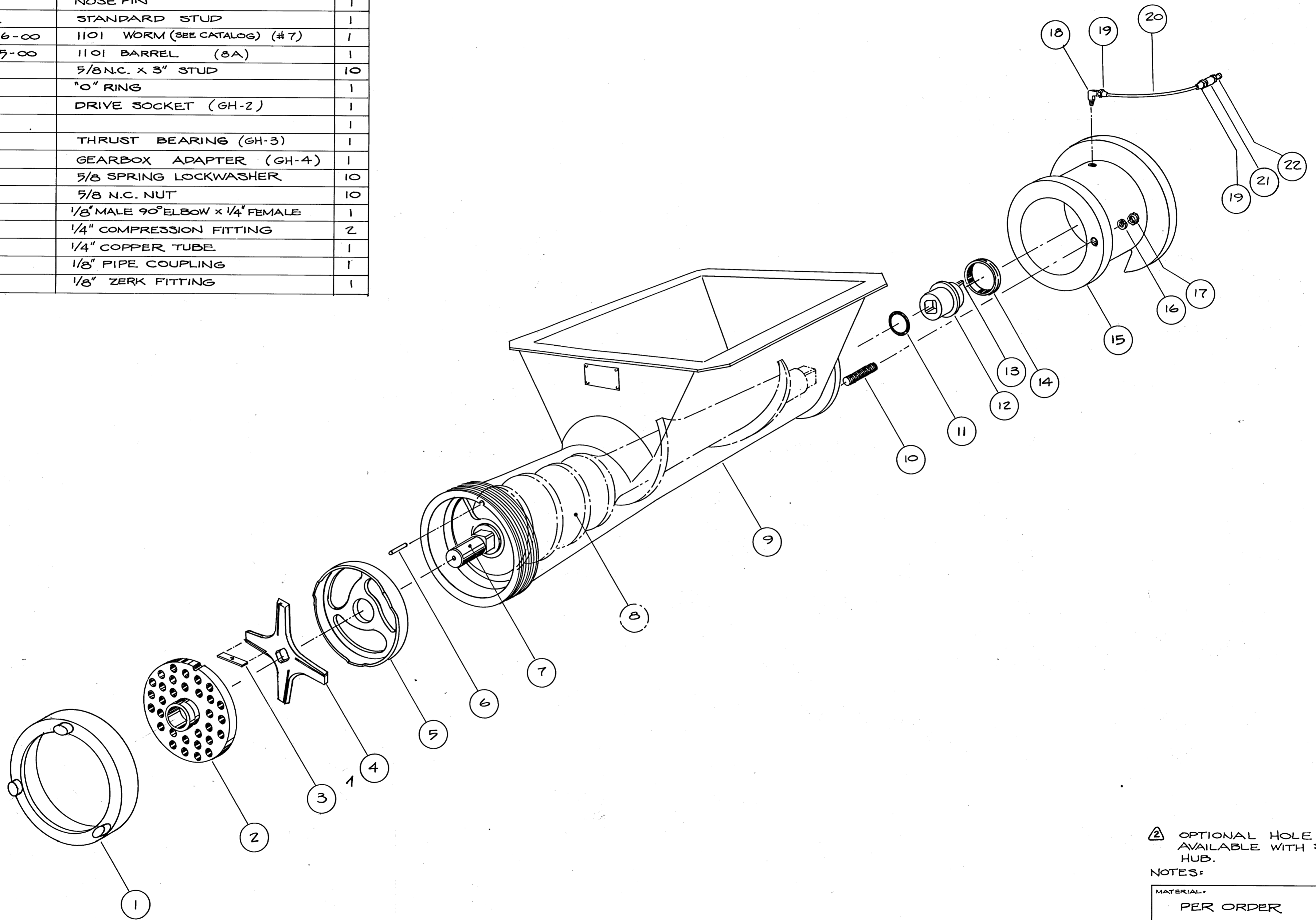


ITEM	PART NUMBER	DESCRIPTION	NO. REQ.
1	B-1102-0411-00	NOSE RING (1A)	1
2	11-1	REVERSIBLE HOLE PLATE	1
3	4A 1101	KNIFE INSERTS (4 PER SET)	1
4	C-1102-0409-00	KNIFE HOLDER (3 A.)	1
5	C-1102-0410-00	INNER RING (5 BX.)	1
6		NOSE PIN	1
7	6AX	STANDARD STUD	1
8	B-1101-0406-00	1101 WORM (SEE CATALOG) (#7)	1
9	B-1101-0405-00	1101 BARREL (8A)	1
10		5/8 N.C. x 3" STUD	10
11		"O" RING	1
12		DRIVE SOCKET (GH-2)	1
13			1
14		THRUST BEARING (GH-3)	1
15		GEARBOX ADAPTER (GH-4)	1
16		5/8 SPRING LOCKWASHER	10
17		5/8 N.C. NUT	10
18		1/8" MALE 90° ELBOW x 1/4" FEMALE	1
19		1/4" COMPRESSION FITTING	2
20		1/4" COPPER TUBE	1
21		1/8" PIPE COUPLING	1
22		1/8" ZERK FITTING	1

### AUTIO MODEL 1101 GRINDER BARREL ASSEMBLY PARTS LIST DRAWING



△ OPTIONAL HOLE PLATE AVAILABLE WITH SOLID HUB.  
NOTES:

MATERIAL:	PER ORDER
FINISH:	PER ORDER
DWG TITLE:	1101 BARREL ASSY.
DWG NO:	C-1101-0901-00
REV:	
SH. NO.	

DWG SCALE:	NONE (EXCEPT AS NOTED)	TOLERANCES:	FRACTIONS: ANGULAR DECIMAL	DWN BY:	ART MATSON	DATE:	7-2-79
PRINT ISSUE DATE:		UNLESS OTHERWISE NOTED:	NEXT ASSY:	ENGR:		DATE:	
				APRD BY:		DATE:	



SPECIALIZED EQUIPMENT FOR THE FOOD INDUSTRY

93750 AUTIO LOOP • ASTORIA, OREGON 97103 • USA  
 (503) 458-6191 • (800) 483-8884 • (503) 458-6409

**PARTS LIST**  
**Call 800-483-8884**  
**for price and availability**

**1101 STAINLESS STEEL BARREL ASSEMBLY, DWG. #C-1101-0901-00**

ITEM NO.	PART NUMBER	DESCRIPTION	NBR. REQ.
1	1102-0411-SS	NOSE RING (1A) -----	1
2	1100,____	SOLID HUB PLATE, #1100, (3/8" HOLES OR LARGER) ---- <i>(Specify plate hole size when ordering.)</i>	1
3	4A 1101	KNIFE INSERT BLADES (SET OF 4) ----- <i>(PER BOX: 40 PCS/10 SETS)</i>	1
4	1102-0409-00	KNIFE HOLDER (3A) COMPLETE W/BLADES -----	1
5	1102-0410-00	INNER RING (5BX) -----	1
6	1101-0411-00	NOSE PIN -----	1
7	1101-0412-00	STD. WORM STUD, 2-1/4" THREAD DIA. (6AX) -----	1
8	1101-0406-SS	1101 WORM, #1 OPEN, STAINLESS STEEL -----	1
		1101 WORM, #2, #3, #4 FILL, SS            ADD:	
9	1101-0405-SS	1101 BARREL, STAINLESS STEEL -----	1
10		5/8 N.C. X 3" STUD -----	10
11	2-240	O-RING -----	1
12	GH-2 1101	DRIVE SOCKET (3-3/8" BORE)-----	1
	GH-2 FC2 1101	DRIVE SOCKET (2-3/4" BORE)-----	1
12A	1101-0404-00	GHX-2 DRIVE SOCKET, 75-100 HP, (For #29324) -----	1
13		7/8 X 7/8 KEYSTOCK -----	1
14	GH-3	THRUST BEARING - -(928) -----	1
14A	29324	GHX-3 THRUST BEARING, 75-100HP-----	1
15	GH-4	GEARBOX ADAPTER -----	1
15A	GHX-4	GEARBOX ADAPTER FOR 75-100HP -----	1
16		5/8" SPRING LOCKWASHER -----	10
17		5/8" N.C. NUT -----	10
18		1/8" MALE 90 DEGREE ELBOW X 1/4" FEM. -----	1
19		1/4" COMPRESSION FITTING -----	2
20		1/4" COPPER TUBE -----	1
21		1/8" PIPE COUPLING -----	1
22		1/8" ZERK FITTING -----	1
23	1101-0001-00	NOSE RING WRENCH -----	1

*This equipment must be installed & operated according to all applicable safety regulations.*

Prices subject to change without notice.  
 F.O.B. Plant - Astoria, Oregon U.S.A.  
 Effective: March 1, 2014

Payable in U. S.Funds