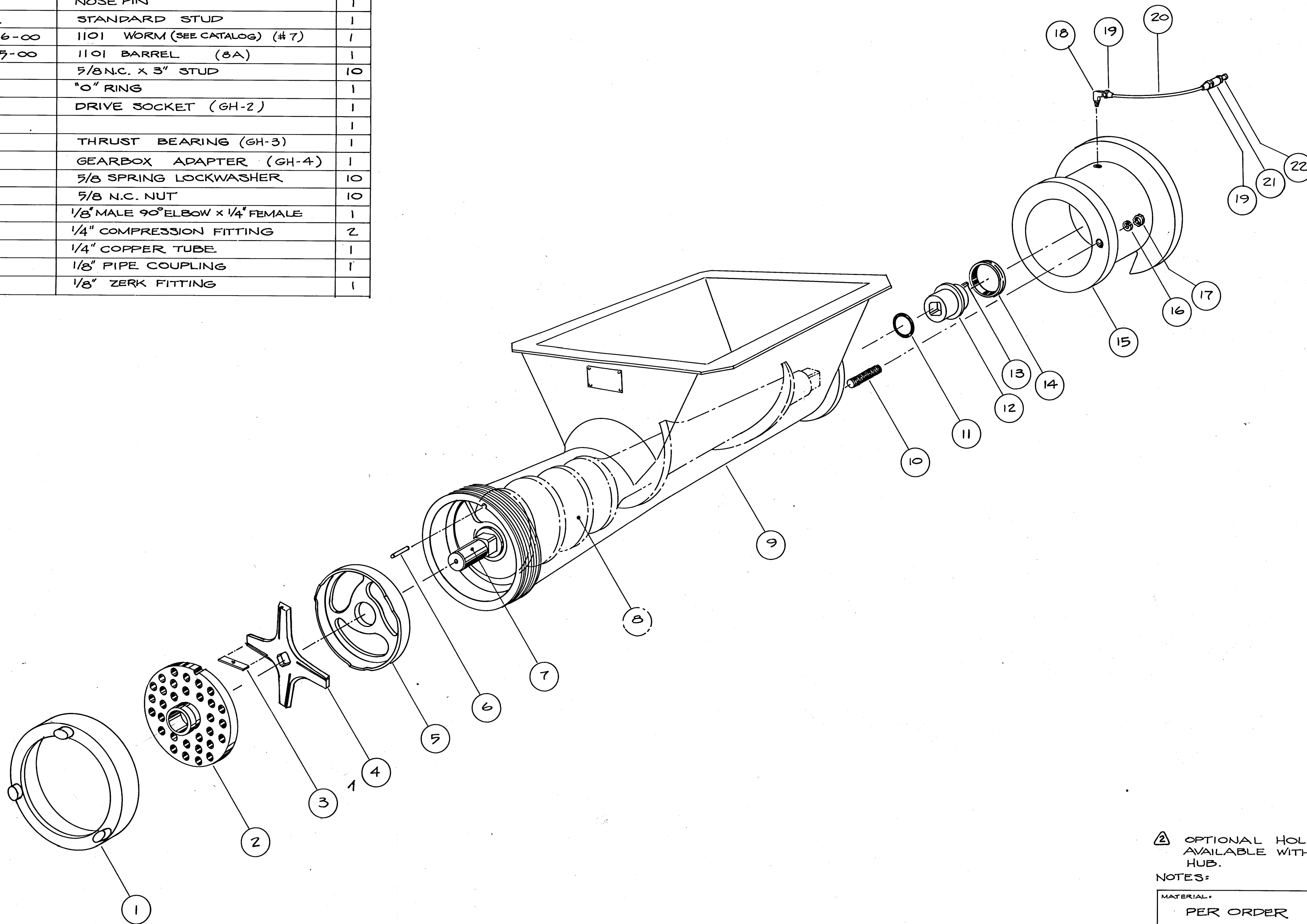


ITEM	PART NUMBER	DESCRIPTION	NO. REQ.
1	B-1102-0411-00	NOSE RING (1A)	1
2	11-1	REVERSIBLE HOLE PLATE	1
3	4A 1101	KNIFE INSERTS (4 PER SET)	1
4	C-1102-0409-00	KNIFE HOLDER (3 A.)	1
5	C-1102-0410-00	INNER RING (5 BX.)	1
6		NOSE PIN	1
7	6AX	STANDARD STUD	1
8	B-1101-0406-00	1101 WORM (SEE CATALOG) (#7)	1
9	B-1101-0405-00	1101 BARREL (8A)	1
10		5/8 N.C. x 3" STUD	10
11		"O" RING	1
12		DRIVE SOCKET (GH-2)	1
13			1
14		THRUST BEARING (GH-3)	1
15		GEARBOX ADAPTER (GH-4)	1
16		5/8 SPRING LOCKWASHER	10
17		5/8 N.C. NUT	10
18		1/8" MALE 90° ELBOW x 1/4" FEMALE	1
19		1/4" COMPRESSION FITTING	2
20		1/4" COPPER TUBE	1
21		1/8" PIPE COUPLING	1
22		1/8" ZERK FITTING	1

AUTIO MODEL 1101 GRINDER BARREL ASSEMBLY PARTS LIST DRAWING



△ OPTIONAL HOLE PLATE AVAILABLE WITH SOLID HUB.

NOTES:

MATERIAL:	
PER ORDER	
FINISH:	
PER ORDER	
DWG TITLE:	
1101 BARREL ASSY.	
DWG NO:	REV: SH. NO.
C-1101-0901-00	

DWG SCALE:	TOLERANCES:	DWN BY:	DATE:	DWG TITLE:
NONE	FRACTIONS:	ART MATSON	7-2-79	1101 BARREL ASSY.
(EXCEPT AS NOTED)	ANGULAR	ENGR:	DATE:	
PRINT ISSUE DATE	DECIMAL	APRD BY:	DATE:	
	UNLESS OTHERWISE NOTED			
	NEXT ASSY:			



SPECIALIZED EQUIPMENT FOR THE FOOD INDUSTRY

93750 AUTIO LOOP • ASTORIA, OREGON 97103 • USA
 (503) 458-6191 • (800) 483-8884 • (503) 458-6409

PARTS LIST
Call 800-483-8884
for price and availability

1101 BARREL ASSEMBLY, DWG. #C-1101-0901-00

ITEM NO.	PART NUMBER	DESCRIPTION	NBR. REQ.
1	1102-0411-00	NOSE RING (1A) -----	1
2	11-4,___	REVERS. HOLE PLATE, #11-4, (3/8" HOLES/LARGER) ----- (Reversible Plate includes bushing assembly)	1
	1100,___	SOLID HUB PLATE, #1100, (3/8" HOLES OR LARGER) -----	
2-A	11-4	LOCKSPRING PLATE BUSHING, 3-PC. ----- (Specify plate hole size when ordering.)	
3	4A 1101	KNIFE INSERT BLADES (SET OF 4)----- (PER BOX: 40 PCS/10 SETS)	1
4	1102-0409-00	KNIFE HOLDER (3A) COMPLETE W/BLADES -----	1
5	1102-0410-00	INNER RING (5BX) -----	1
6	1101-0411-00	NOSE PIN -----	1
7	1101-0412-00	STD. WORM STUD, 2-1/4" THREAD DIA. (6AX) -----	1
	1101-0412-6A	WORM STUD, 1-3/4" THREAD DIA. -----	
8	1101-0406-00	1101 WORM, #1 OPEN -----	1
	1101-0406-01	1101 WORM, #1 OPEN -----FOR EDIBLES ----- 1101 WORM, #2, #3 or #4 FILL ----- ADD:	1
9	1101-0405-00	1101 BARREL -----	1
	1101-0405-01	1101 BARREL ----- FOR EDIBLES:	
10		5/8 N.C. X 3" STUD -----	10
11	2-240	O-RING -----	1
12	GH-2 1101	DRIVE SOCKET (3-3/8" BORE) -----	1
	GH-2 FC2 1101	DRIVE SOCKET (2-3/4" BORE)-----	1
13		7/8 X 7/8 KEYSTOCK -----	1
14	GH-3	THRUST BEARING - -(928) -----	1
15	GH-4	GEARBOX ADAPTER -----	1
16		5/8 SPRING LOCKWASHER -----	10
17		5/8 N.C. NUT -----	10
18		1/8" MALE 90 DEGREE ELBOW X 1/4" FEM. -----	1
19		1/4" COMPRESSION FITTING -----	2
20		1/4" COPPER TUBE -----	1
21		1/8" PIPE COUPLING -----	1
22		1/8" ZERK FITTING -----	1
23	1101-0001-00	NOSE RING WRENCH -----	1

FOLLOWING PARTS ARE FOR 1101-GH2 GRINDER: 75-100HP:

12-A	1101-0403-00	GHX-2 DRIVE SOCKET (For 51420 bearing) ---	1
	1101-0404-00	GHX-2 DRIVE SOCKET (For 29324 bearing) ---	
14-A	51420	GHX-3 THRUST BEARING -----	1
	29324	GHX-3 THRUST BEARING -----	
15-A	GHX-4	ADAPTER HOUSING -----	1

This equipment must be installed & operated according to all applicable safety regulations.

Prices subject to change without notice.
 F.O.B. Plant - Astoria, Oregon U.S.A.
 Effective: March 1, 2014

Payable in U. S. Funds